



Collection 2026

At Design For The People, great design remains at the heart of everything we do. In the 2026 collection, we continue to showcase carefully crafted lighting developed in close collaboration with talented designers.

By thoughtfully combining materials, shape, colours and function, we create pieces that feel both timeless and relevant.

True contemporary design is not about following trends, it is about refining the best elements from the past and merging them with the innovations of the present.

This year, we continue our strong collaborations with trusted designers while also welcoming new creative perspectives from Says Who and Nital Studio. The collection introduces a wide range of elegant new pendants alongside extensions to some of our most beloved families, bringing fresh expressions to familiar designs.

We proudly present our 2026 collection.



Lone Bødker
Product manager





Akeno p. 30



Darci p. 28



Fuji p. 64



Latika p. 68

Makoto p. 58



Table of contents

08	<i>Asger Risborg Jakobsen</i>	78	<i>Families</i>
12	<i>Anker Studio</i>	102	<i>Pendants</i>
26	<i>Bjørn+Balle</i>	114	<i>Table lamps</i>
36	<i>Bønnelycke MDD</i>	122	<i>Wall lamps</i>
44	<i>Charlotte Høncke</i>	126	<i>Floor lamps</i>
50	<i>Maria Berntsen</i>	130	<i>Ceiling lamps</i>
56	<i>Nital Studio</i>	134	<i>Product index</i>
62	<i>Says Who</i>		
72	<i>Sofie Lefèvre</i>		

*Designers
Journal*

*“I believe that instead
of making trendy
objects we should try
to make objects
that outlive trends”*



Asger Risborg Jakobsen
Studied architecture at The Royal
Danish Academy in Copenhagen

Based in Copenhagen, Denmark



Asger Risborg Jakobsen

Even as a child Asger Risborg Jakobsen found joy in creating all kinds of tools that he played with in the fields and trees around his home. Later Asger chose to make his passion his way of living by studying architecture at The Royal Danish Academy in Copenhagen. After three years he felt the joy of designing fading away and needed a change.

This time, he wanted to try something completely different. Asger started studying medicine and quickly became fascinated with the architecture of the human body. He gradually rediscovered his joy of designing and now combines working in both fields. In his creative work, Asger finds inspiration in the simultaneous complexity and simplicity of nature – and he is driven by creating designs that outlive trends and that can endure everyday use over many years.

“I find lighting fascinating. It is both a practical and essential tool that enables us to unfold our lives after the sun sets. At the same time, it is an aesthetic element that affects us and our surroundings. It transforms the appearance of materials and shapes. It changes the atmosphere. Everything changes with the light.”

With his strong focus on longevity in terms of durability, functionality and aesthetics, Asger Risborg Jakobsen is not subject to short-lived trends and tendencies.

“I believe that instead of making trendy objects we should try to make objects that outlive trends. The objects we make will of course always reflect our time and in this way, nothing is genuinely timeless, but I aim to create contemporary classics.”



Take a look at our ambience video here



“I wanted to create a lamp that combines the delicate qualities of rice paper lanterns with the durability to endure everyday use over many years”

Asger Risborg Jakobsen

Hill

Hill is a large, geometric lampshade that fills the room without blocking the view. Created by Danish designer Asger Risborg, Hill is light as a cloud, but sharp as a rock. A lamp that is both complex and simple while creating a very soft light that spreads into the room in a calm, uniform way.

Learn more about Hill on page 107


Anker Studio



Anker Studio

Jonas Birkebæk Poulsen educated
from Design School Kolding.

Based in Aarhus, Denmark



“I’m always searching for that little twist — the detail that turns a good product into something unforgettable.”

Jonas Birkebæk Poulsen

Anker Studio was founded by Danish designer Jonas Birkebæk Poulsen, who grew up with design from an early age, making it an integral part of his daily life. Growing up with a father who worked as a designer for LEGO, the idea of creating something from nothing was always close at hand. This early immersion made design feel second nature. It shaped not just his interest, but the way he sees the world today – all the details, possibilities, and stories waiting to be told.

For Jonas, great design always starts with something surprising, a tiny detail, something that sparks curiosity. It’s never just about function. Of course, a lamp should provide good light. But the real magic happens when form and function come together in a way that feels natural — and a little unexpected.

Contrary to what many might think, Jonas feels most creatively inspired when he has clear boundaries to work within. A defined framework doesn’t limit his creativity – it only sharpens it. When working with lighting, he’s especially drawn to the space between function and feeling.

“What I love about working with lighting is the wide spectrum between functionality and art. Some lamps are only functional, while some are more emotionally and aesthetically driven. The emotionally driven pieces become like a piece of art in the home. That contrast is what makes it exciting. There’s room for both.”

Take a look at our ambience video here



Trezzi

Trezzi, an elegant, portable table lamp was designed by Danish Anker Studio. Trezzi has a modern and elegant design with fluted glass that draws inspiration from Art Deco style. Dim the light in three steps using the touch button to create the perfect ambience. The lamp is easily charged with the included USB cable.

Learn more about Trezzi on page 119

Trezi Portable, White 2520135001









Talli Floor, Brown 2420054018

Take a look at our ambience video here



*“What I love about working
with lighting is the wide
spectrum between
functionality and art.”*

Jonas Birkebæk Poulsen

Talli

Designed by Danish Anker Studio, Talli has a tall, cylindrical look that is both distinctive and light at the same time. The shade is made entirely from Tyvek – a material known for its durability and stunning light diffusion. The rounded metal base acts as a beautiful contrast to the lightweight shade.

Learn more about Talli on page 128



Latif

Latif is a modern and elegant pendant light designed by Danish Anker Studio. The shade is made of textured metal with brushed brass details. The round opal diffuser ensures a soft and glare-free light, making it perfect for above the dining table to create a pleasant light.

Learn more about Latif on page 109







Take a look at our ambience video here



Furiko

The Furiko wall light by Anker Studio has a simple and elegant design language. The light reflects backwards onto the beautiful spherical shade, creating a soft and indirect light. Furiko is perfect for the hallway or bedroom where a soft light is essential.

Learn more about Furiko on page 124



Versale

The Versale series by Anker Studio is the epitome of Scandinavian minimalism cut to the very core. A perfectly round shade with a uniform light surface only disturbed by the piercing frame. The whole series can easily create the perfect ambience anywhere you need a pleasant, glare-free light.

Learn more about Versale on page 113

Take a look at our ambience video here







Rune Balle & Christian Bjørn

The duo has carried out a large number of creative design tasks for both national and international clients

Based in Copenhagen, Denmark



*“Quiet is better than loud.
We like to create designs
that are very simple.
Designs that people
feel safe about”*

Bjørn + Balle

The designers combine minimalistic Scandinavian design with international trends. It's about image creation and recognizability. The overall identity of the product is its form, function, details, structure and materials, which all comes together. A product never stands alone but is part of an environment where the story being told supports the design.

Bjørn + Balle have both carried out a large number of design tasks for both national and international clients at many different areas, such as product design, furniture design, interior design, identity programs and exhibitions, and together they have great success with lighting design.

Bjørn + Balle has delivered a wide range of innovative technical solutions for the industry, as well as beautifully designed products for the consumer market.

Take a look at our ambience video here



Darci Floor, Sand 2120584008



Darci Wall Short, Sand 2320221008

Darci

With a cool and industrial design, the Darci series by Bjørn + Balle is both a highly functional and aesthetic addition to your home. The beautifully curved lamp head is easily adjusted for reading, working or just adding the right ambience to the room.

High-quality materials with a satin soft, matte surface radiate a modern and streamlined look.

Learn more about Darci on page 83

*New
colour*

Darci Wall Long, Sand 2120551008

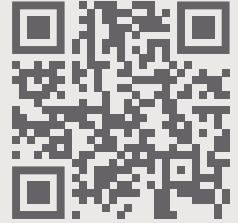






New

Take a look at our ambience video here



Akeno

The Akeno pendant light from Danish designers Bjørn + Balle has a sleek and minimalist silhouette that is sensually expressed through details in warm wood and elegant brass.

Akeno is the obvious choice to hang above a kitchen island, dining table or desk. With its dimmable light and sleek design, Akeno sets the right mood without dominating the room.

Learn more about Akeno on page 106



Aurelio

This elegant pendant by designers Bjørn + Balle has an organic and minimalistic design in rough metal with a grooved top in dark wood. Light shines softly through the opening on top of the shade, creating a beautiful effect. Perfect above the dining table or kitchen countertop.

Learn more about Aurelio on page 104







Take a look at our ambience video here



Kinto

The modern and minimalistic Kinto was designed by Bjørn + Balle. The cone-shaped shade is made from metal with an elegant dark wood top and burnished brass details. Light shines softly through the opening on top of the shade, creating a beautiful effect. Perfect above the dining table or kitchen countertop.

Learn more about Kinto on page 108



Bønnelycke MDD

A Multi-Disciplinary Design company
with a desire to work constructively and innovatively

Based in Aarhus, Denmark

“Great design is giving people what they want, and a little bit more”



Bønnelycke MDD

Bønnelycke MDD was established in 1988. Driven by a nosurpressable urge and desire to work constructively and innovatively, Bønnelycke mdd started his career with the design of lamps, furniture and interior decorating.

Quickly, he became known as an unconventional architect with no whims and fancies. His ability to challenge and optimize the manufacturing process itself is to be found in Henrik’s original professional background as a toolmaker. “It could be fun” and “of course it can be done” – are phrases often used in his company.

From day one, the core of his work has been to create products simply because they are needed. Designs by Bønnelycke MDD grow out of a specific need or requirement expressed by the customer – and by the general public as such. This has resulted in a comprehensive portfolio of projects and designs allowing the company to slowly but steadily expand over the years.

Artist Pendant, Black 2520035003, Stainless steel 2520035034



Artist

With its contemporary design and minimalist form, the award-winning Artist by Danish designer Bønnelycke MDD has earned its place as a modern classic. True to its name, the design draws inspiration from the world of music, particularly the graceful curves of a drum kit cymbal.

Learn more about Artist on page 83





Artist Table, Black 2520035003



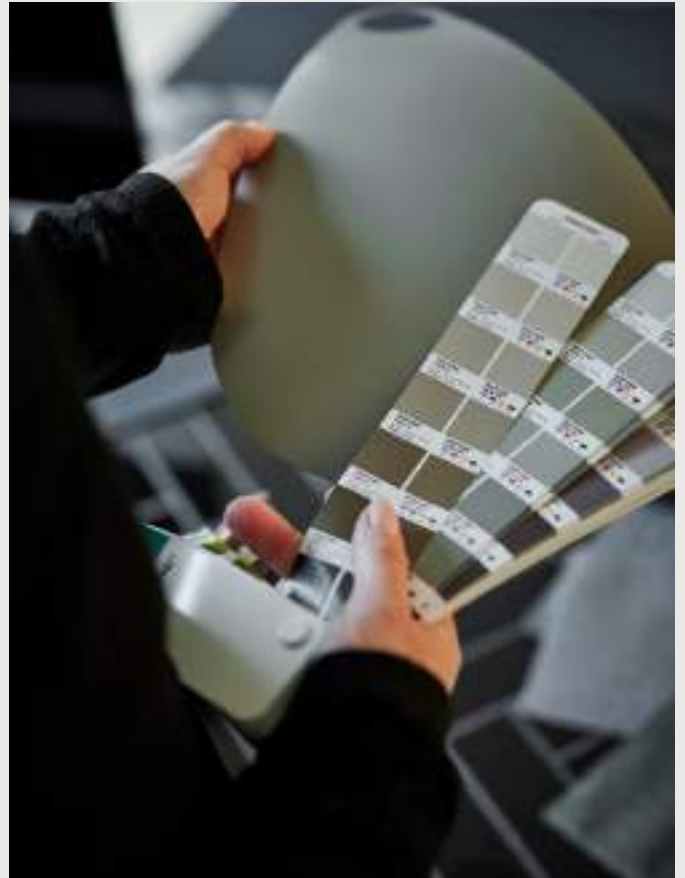


Take a look at our ambience video here





Charlotte Høncke



Charlotte Høncke
Holds a degree from Aarhus School
of Architecture in Industrial Design

Based in Aarhus, Denmark



“I like exploring new materials, shapes and techniques and I never choose the easy way out”

Charlotte Høncke has always had a great passion for design and knew from a very early age that she wanted to pursue a career in design or architecture. In 2002 she graduated from Aarhus School of Architecture in Industrial Design, and a few years later she chose to become self-employed working with design full time.

Charlotte finds inspiration everywhere she goes – from nature, architecture or travelling the world. New ideas often require new methods for designing and creating which sometimes forces her to explore new ways.

“I like exploring new materials, shapes and techniques and I never choose the easy way out. That sometimes causes challenges, both for me as a designer but also for the manufacturer. But exploring new methods is also what makes the job diverse and exciting.”

Lighting design is something that Charlotte Høncke finds particularly interesting because of its versatility and the need for balancing functionality with aesthetics.

“Besides having to provide the right, functional light, I also think lamps need to be beautiful when turned off. Lamps are one of the elements that bring most atmosphere into the interior, and I personally like to have many different types of lamps in my home to create just the light and atmosphere I want.”

Take a look at our ambience video here



Faye Portable

Danish Designer Charlotte Høncke has created Faye – a portable and rechargeable lamp in harmonic, geometric shapes. This small lamp is packed with both personality and functionality, making it ideal for a shelf or other narrow space that needs a dimmable, downward-facing light.

Learn more about Faye on page 116









“To me, success is when my design brings joy in the everyday lives of people”



Maria Berntsen

Holds degrees from both
The Royal Danish Academy Art
and L'Ecole d'Architecture

Based in Copenhagen, Denmark



Maria Berntsen

With her own design studio in Copenhagen, Maria Berntsen has since 1992 focused on architecture and design. Maria Berntsen is a well-established name in the design industry and has over the years collaborated with a wide range of Danish and international companies, where her extensive experience has resulted in many successful designs.

“At the start of a new project, I look for an idea with nerve, functionality and identity. By modelling and visualizing, I test the idea, how it might be used, and its presence.

Good design communicates and establishes a dialogue with the receiver. Design is not just about functionality – it is as much about the emotional connection and impact. To me, success is when my design brings joy in the everyday lives of people”

”Glossy is my favourite lamp. I feel that it successfully balances form and a mix of materials. The entire construction and expression of the lamp is simple and timeless.

Maria Berntsen

Glossy Mini

Glossy is the epitome of tasteful and sophisticated design. Danish designer Maria Berntsen has created a “mini version” of the classic table lamp that oozes Nordic minimalism, and where exclusive materials like marble, brass and opal white glass all contribute to an incredibly elegant design.

Glossy takes its name from the shiny surface of the opal white glass, which lets a soft and pleasant light shine through.

Learn more about Glossy Mini on page 117







Take a look at our ambience video here





*Pink jade is a rare variety of jade
and therefore lines, colours and
patterns may vary from lamp to lamp.
This is part of the charm of working
with natural materials.*



Nital Studios

Driven by curiosity and a fascination
with how objects are made

Based in Aarhus, Denmark



*“I find inspiration everywhere:
in culture, music, fashion, and art.*

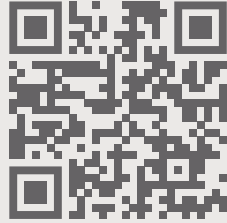
*I love when contrasting ideas
collide - when something contemporary
meets something timeless and sparks a
new conversation.”*

Nital Studios

Nital Studio was founded by industrial designer Nital Patel - driven by curiosity and a fascination with how objects are made, and how they subtly shape our everyday lives. Having lived in many parts of the world, he brings a global perspective to his work, where cultures, crafts, and ideas meet. For Nital, design isn't just a profession, it's how he understands and responds to the world around him.

For Nital, good design connects function with feeling. In lighting, he explores how technology and tactility can merge so seamlessly that the experience feels effortless - something you don't notice but simply feel.

Take a look at our ambience video here

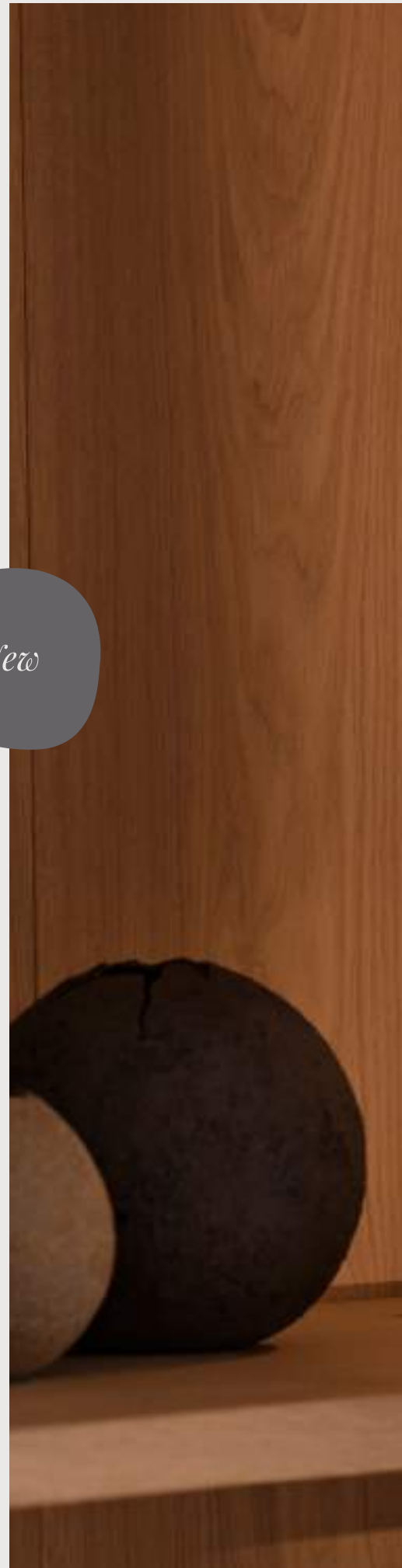


New

Makoto

Makoto is a sleek and minimalist series designed by Danish Nital Studio. The minimalist, vertical silhouette is finished in satin chrome – a warm, brushed chrome finish that adds a subtle softness to the industrial look. The adjustable lamp head provides flexible and directional light, making Makoto ideal for reading and working.

Learn more about Makoto on page 85







Makoto Wall, Satin chrome 2620051033



New

Says Who



Says Who

Creates lighting that feels natural,
functional, and made for modern living.

Based in Aarhus, Denmark



“A lamp can transform how a room feels throughout the day, creating both comfort and character.”

Says Who is a Danish design studio founded by Kasper Meldgaard and Nikolaj Duve. Rooted in Scandinavian design traditions, their work is guided by a love of craftsmanship, simplicity, and purpose. Growing up surrounded by furniture and a culture that values form and function, design became a natural path for them both.

To Kasper and Nikolaj, lighting is more than just illumination - it defines atmosphere. A lamp can transform how a room feels throughout the day, creating both comfort and character.

Good design, they believe, should solve a real need while also bringing something extra - joy, comfort, or beauty - into everyday life. Their inspiration comes from Nordic heritage, global culture, and the way people live with design. By combining timeless aesthetics with modern technology, Says Who creates lighting that feels natural, functional, and made for modern living.

Take a look at our ambience video here



New

Fuji

Fuji, designed by Danish design studio Says Who, finds its perfect balance in the meeting between two classic materials. The soft, organic lines of the wooden top add a natural warmth to the sleek, industrial look of the metal shade. Fuji is ideal above the dining table and casts a pleasant, downward light.

Learn more about Fuji on page 107







Fuji Pendant, Beige 2620153009





New

Latika

Latika, designed by Danish design duo Says Who, is a modern interpretation of the classic shade-on-shade pendant. The slim metal shades with a brushed finish form a geometric silhouette, softening the light for a glare-free glow.

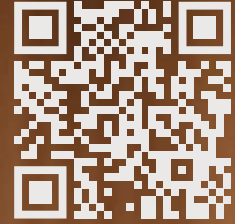
The result is a minimalist design with high functionality - ideal for dining areas or rooms where you want a calm and concentrated light. The detachable bottom stem allows you to choose the final look.

Learn more about Latika on page 109

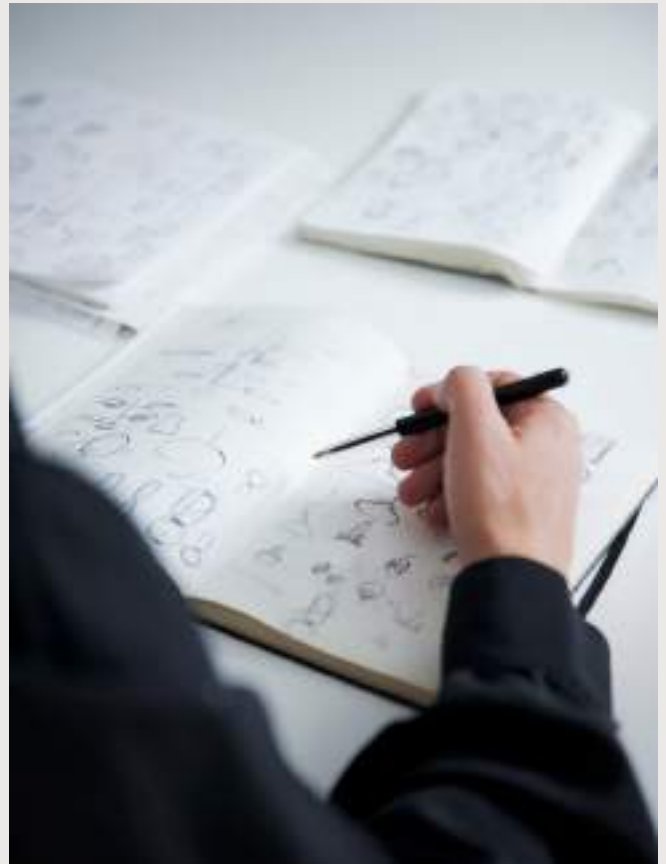




Take a look at our ambience video here



Studio Mauro//Lefèvre *by Sofie Lefèvre*



Sofie Lefèvre

Holds a degree in Innovation
Design from Royal College of Art

Based in Copenhagen, Denmark



“I generally like challenges. Challenges create a sense of suspension, even though I know that it’s almost always possible to find a solution – it’s really just a matter of time”

The road to becoming a designer has not been straight ahead for Sofie Lefèvre. She started studying medicine, but after a year changed her course and continued her education within the design field. Several years in London and a degree in Innovation Design from Royal College of Art gave her hands-on experience and the drive to pursue a career within design.

Working with lighting design comes naturally to Sofie. She understands and emphasizes the impact light has on our lives and is fascinated by the way light can change the interior: “I find it very interesting working with atmospheres created by light. There are so many aspects where my inner child can be released, playing with angles, materials and openings to create the wanted reflection or diffusion of light.”

New



Takai Table, Beige 2620015018

Takai

The Takai series by Studio Mavro//Lefèvre by Sofie Lefèvre has a large fabric shade with a beautiful shape that invites you to look at it from many different angles. The combination of the flax linen shade and the burnished brass creates a very soft and warm design language.

Learn more about Takai on page 98



*New
size*



Take a look at our ambience video here



Takai Wall, Beige 2320421018





Families

Angle E27 Pendant *designed by Maria Berntsen*



White/Telegrey 2020673001
Metal

Black 2020673003
Metal



E27
(excl.)



IP20



Dimmable



300 cm



Class 2



Measurements	Dimmable	Cable info	Canopy info	Max. W	Masterbox
H: 31,5 cm, shade Ø: 20,6 cm	Yes, can be dimmed by choosing a dimmable bulb	White/Black/Grey Textile Not replaceable	White/Black/Grey Plastic 12,5 x 9,5 cm	60W	Qty. 3

Angle GU10 Wall *designed by Maria Berntsen*



White/Telegrey 2120601001
Metal

Black 2120601003
Metal



GU10
(excl.)



IP20



Not dimmable



170°



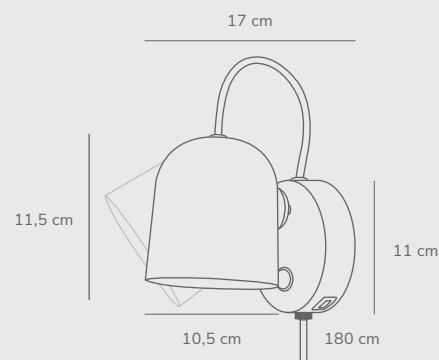
180 cm



USB port



Class 2



Measurements	Dimmable	Cable info	Switch	Max. W	Masterbox
H: 11,5 cm, W: 10,5 cm, L: 17 cm, shade Ø: 10,5 cm	No, cannot be dimmed	White/Black/Grey Textile Replaceable	On the fixture	25W	Qty. 3

Artist 25 Pendant *designed by Bonnelycke MDD*



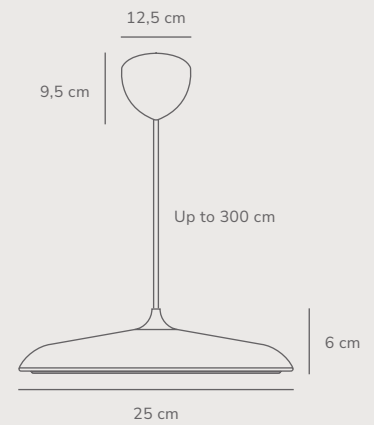
Black 2420203003
Metal



Grey 2420203010
Metal



Beige 2420203009
Metal



Copper 2420203030
Metal



Stainless steel 2420203034
Metal



Dusty rose 2420203057
Metal



Integrated
LED



3000 kelvin



IP20



1000 lm



Dimmable



Ra 90



300 cm



Class 2

Measurements	Dimmable	Cable info	Canopy info	LED W	Lifespan	Masterbox
Shade Ø: 25 cm, shade H: 6 cm	Yes, has built-in dimmable light source for wall dimmer	Black/Grey/Beige/ Dusty rose Textile Not replaceable	Black/Grey/ Stainless steel/ Dusty rose Plastic 12,5 cm x 9,5 cm	14W	30000 hours	Qty. 2

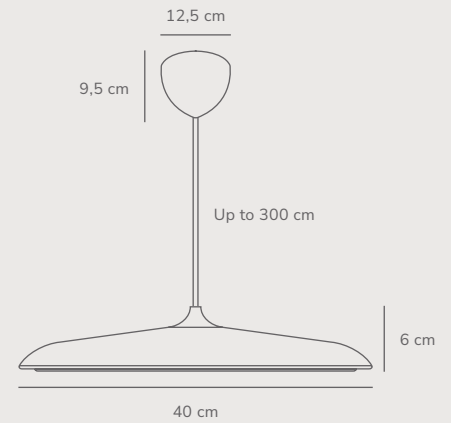
Artist 40 Pendant *designed by Bønnelycke MDD*



Black 2420223003
Metal

Grey 2420223010
Metal

Beige 2420223009
Metal



Copper 2420223030
Metal

Stainless steel 2420223034
Metal

Dusty rose 2420223057
Metal



Integrated LED



3000 kelvin



IP20



1600 lm



Dimmable



Ra 90



300 cm



Class 2

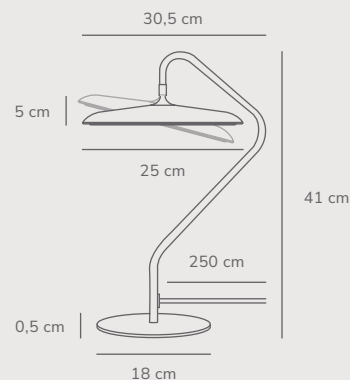
Measurements	Dimmable	Cable info	Canopy info	LED W	Lifespan	Masterbox
Shade Ø: 40 cm, shade H: 6 cm	Yes, has built-in dimmable light source for wall dimmer	Black/Grey/Beige/ Dusty rose Textile Not replaceable	Black/Grey/ Stainless steel/ Dusty rose Plastic 12,5 cm x 9,5 cm	24W	30000 hours	Qty. 1

Artist Table *designed by Bønnelycke MDD*



Black 2520035003
Metal

Stainless steel 2520035034
Metal



Integrated LED



3000 kelvin



IP20



1100 lumen



Not dimmable



15°



Ra 90



250 cm



Class 2

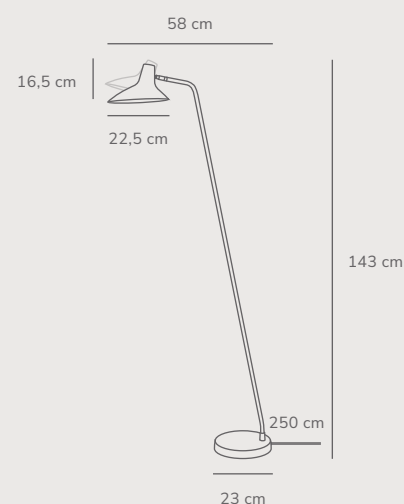
Measurements	Dimmable	Cable info	Switch	LED W	Lifespan	Masterbox
H: 41 cm, L: 30,5 cm, shade Ø: 25 cm, tube Ø: 1,15 cm	No, cannot be dimmed	Black Textile Not replaceable	On the cable	15W	30000 hours	Qty. 2

Darci Floor *designed by Bjørn+Balle*



Black 2120584003
Metal

Sand 2120584008
Metal



E14 (excl.)



IP20



Not dimmable



135°



250 cm



Class 2

Measurements	Dimmable	Cable info	Switch	Max. W	Masterbox
H: 143 cm, W: 23 cm, L: 58 cm, shade Ø: 22,5 cm, shade H: 16,5 cm, tube Ø: 1,56 cm	No, cannot be dimmed	Black/White Textile Not replaceable	On the cable	25W	Qty. 2

Darci Wall *designed by Bjørn+Balle*

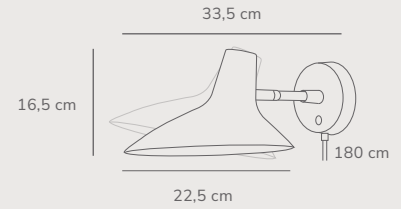


Black 2320221003
Metal



Sand 2320221008
Metal

New



E14
(excl.)



IP20



Not dimmable



90°



180 cm



Class 2

Measurements	Dimmable	Cable info	Switch	Max. W	Masterbox
H: 16,5 cm, L: 33,5 cm, shade Ø: 22,5 cm	No, cannot be dimmed	Black/White Textile Replaceable	On the fixture	25W	Qty. 3

Darci Wall *designed by Bjørn+Balle*

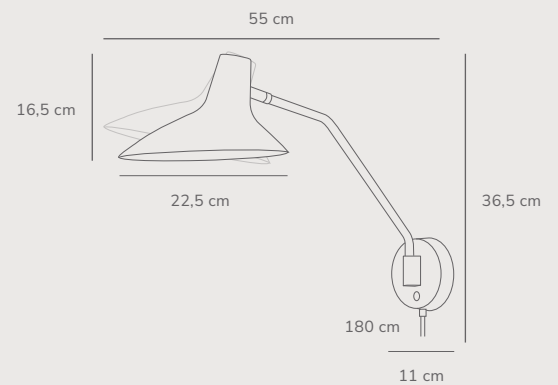


Black 2120551003
Metal



Sand 2120551008
Metal

New



E14
(excl.)



IP20



Not dimmable



135°



180 cm



Class 2

Measurements	Dimmable	Cable info	Switch	Max. W	Masterbox
H: 36,5 cm, W: 23 cm, L: 55 cm, shade Ø: 22,5 cm, shade H: 16,5 cm, tube Ø: 1,25 cm	No, cannot be dimmed	Black/White Textile Replaceable	On the fixture	25W	Qty. 3

Makoto Wall *designed by Nital Studio*



Satin chrome 2620051033
Aluminium

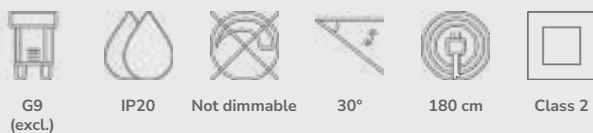
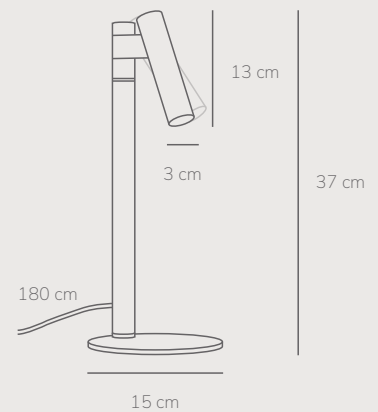


Measurements	Dimmable	Cable info	Switch	Max. W	Masterbox
H: 13 cm, shade Ø: 3 cm, wall base Ø: 10 cm	No, cannot be dimmed	Black Textile Replaceable	On the cable	5W	Qty. 3

Makoto Table *designed by Nital Studio*



Satin chrome 2620075033
Aluminium

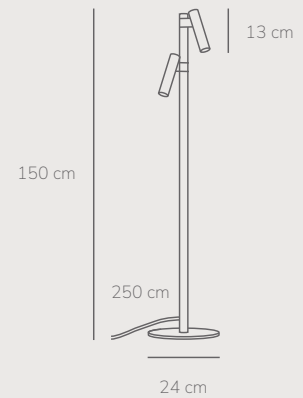


Measurements	Dimmable	Cable info	Switch	Max. W	Masterbox
H: 37 cm, shade Ø: 3 cm, shade H: 13 cm, tube Ø: 2,5 cm, base Ø: 15 cm	No, cannot be dimmed	Black Textile Not replaceable	On the cable	5W	Qty. 3

Makoto Floor *designed by Nital Studio*



Satin chrome 2620094033
Aluminium



Measurements	Dimmable	Cable info	Switch	Max. W	Masterbox
H: 150 cm, shade Ø: 3 cm, tube Ø: 2.5 cm, base Ø: 24 cm, shade H: 13 cm	No, cannot be dimmed	Black Textile Not replaceable	On the cable	2x5W	Qty. 2

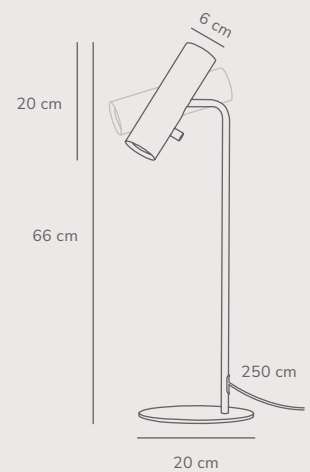
MIB 6 Table *designed by Bønnelycke MDD*



White 71655001
Metal



Black 71655003
Metal



Measurements	Dimmable	Cable info	Switch	Max. W	Masterbox
H: 66 cm, shade Ø: 6 cm, shade H: 20 cm, tube Ø: 1,27 cm	No, cannot be dimmed	White/Black Plastic Not replaceable	On the fixture	8W	Qty. 3

MIB 6 Pendant *designed by Bonnellycke MDD*



White 71679901
Metal

Black 71679903
Metal

Chrome 71679933
Metal



GU10
(excl.)



IP20



Dimmable



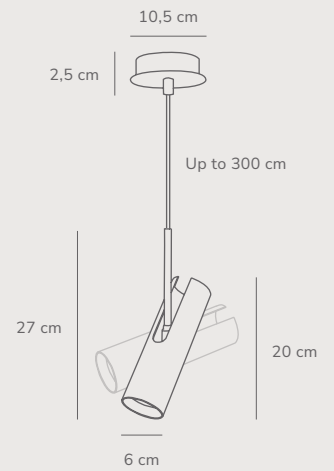
180°



300 cm



Class 2



Measurements	Dimmable	Cable info	Canopy info	Max. W	Masterbox
H: 27 cm, shade Ø: 6 cm, shade H: 20 cm, tube Ø: 1 cm	Yes, can be dimmed by choosing a dimmable bulb	White/Black Textile Not replaceable	White/Black Metal 10,5 x 2,5 cm	8W	Qty. 3

MIB 6 Floor *designed by Bonnellycke MDD*



White 71704001
Metal

Black 71704003
Metal



GU10
(excl.)



IP20



Not dimmable



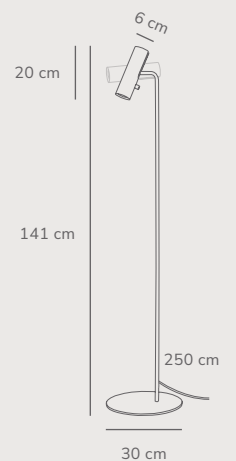
90°



250 cm



Class 2



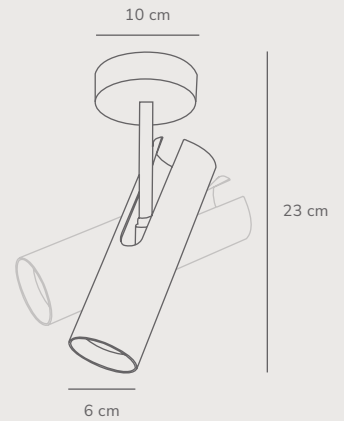
Measurements	Dimmable	Cable info	Switch	Max. W	Masterbox
H: 141 cm, shade Ø: 6 cm, shade H: 20 cm, tube Ø: 1,27 cm	No, cannot be dimmed	White/Black Plastic Not replaceable	On the fixture	8W	Qty. 2

MIB Ceiling *designed by Bønnelycke MDD*



White 2020666001
Metal

Black 2020666003
Metal



Measurements	Dimmable	Max. W	Masterbox
H: 23 cm, shade Ø: 6 cm, ceiling base: Ø10 cm	Yes, can be dimmed by choosing a dimmable bulb	8W	Qty. 3

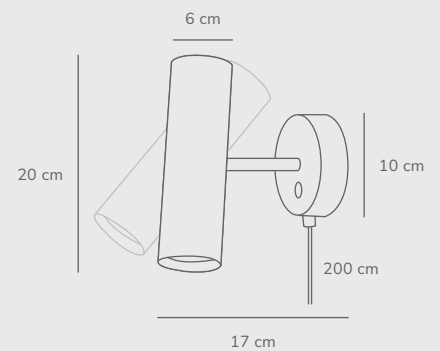
MIB 6 Wall *designed by Bønnelycke MDD*



White 61681001
Metal

Black 61681003
Metal

Black 61681033
Metal

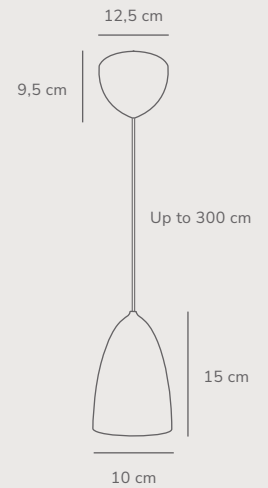


Measurements	Dimmable	Cable info	Switch	Max. W	Masterbox
H: 20 cm, W: 10 cm, shade Ø: 6 cm, shade H: 20 cm, projection: 17 cm, wall base: Ø10 cm	No, cannot be dimmed	White/Black Plastic Replaceable	Touch on/off on the base	8W	Qty. 3

Nexus 2.0 Small Pendant *designed by Bønnelycke MDD*



White/Telegrey 2020563001
Metal

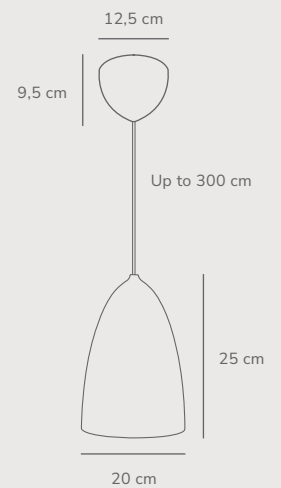


Measurements	Dimmable	Cable info	Canopy info	Max. W	Masterbox
Shade Ø: 10 cm, shade H: 15 cm	Yes, can be dimmed by choosing a dimmable bulb	White/Black Textile Not replaceable	White/Black Plastic 12,5 x 9,5 cm	6W	Qty. 3

Nexus 2.0 Pendant *designed by Bønnelycke MDD*



White/Telegrey 2020583001
Metal



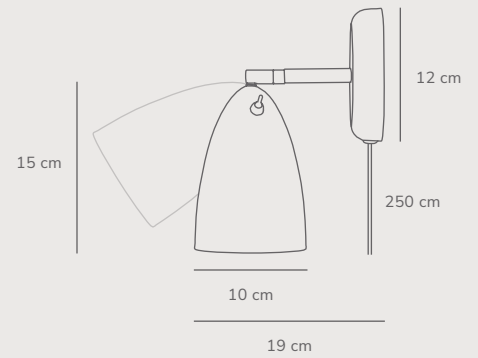
Measurements	Dimmable	Cable info	Canopy info	Max. W	Masterbox
Shade Ø: 20 cm, shade H: 25 cm	Yes, can be dimmed by choosing a dimmable bulb	White/Black Textile Not replaceable	White/Black Plastic 12,5 x 9,5 cm	40W	Qty. 2

Nexus 2.0 Wall *designed by Bonnelycke MDD*



White/Telegrey 2020601001
Metal

Black 2020601003
Metal

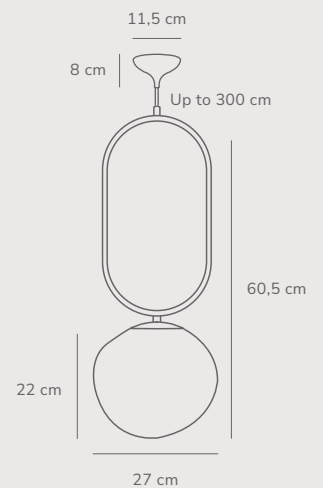


Measurements	Dimmable	Cable info	Switch	Max. W	Masterbox
H: 22 cm, shade Ø: 10 cm, shade H: 15 cm, projection: 19 cm	No, cannot be dimmed	White/Black Textile Replaceable	On the fixture	6W	Qty. 3

Shapes 27 Pendant *designed by Maria Berntsen*

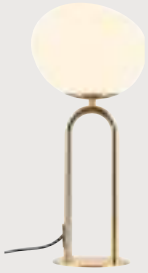


Brass 2120023035
Metal/Glass

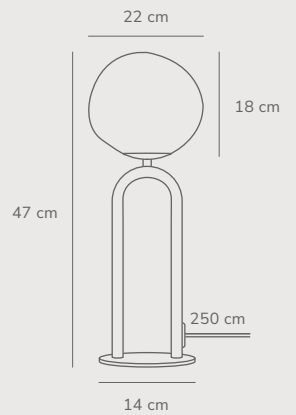


Measurements	Dimmable	Cable info	Canopy info	Max. W	Masterbox
H: 60,5 cm, shade Ø: 27 cm, shade H: 22 cm, tube Ø: 1,53 cm	Yes, can be dimmed by choosing a dimmable bulb	Black Textile Not replaceable	Black Plastic 11,5 x 8 cm	15W	Qty. 2

Shapes Table *designed by Maria Berntsen*



Brass 2120055035
Metal/Glass



E27
(excl.)



IP20



Not dimmable



250 cm



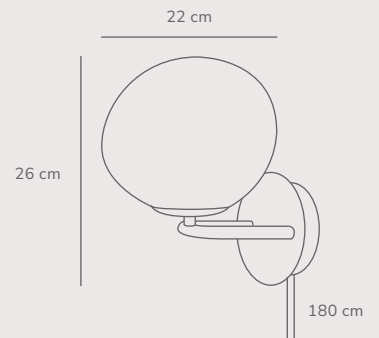
Class 2

Measurements	Dimmable	Cable info	Switch	Max. W	Masterbox
H: 47 cm, shade Ø: 22 cm, shade H: 18 cm, tube Ø: 1,53 cm	No, cannot be dimmed	Black Textile Not replaceable	On the cable	15W	Qty. 3

Shapes Wall *designed by Maria Berntsen*



Brass 2320321035
Metal/Glass



E14
(excl.)



IP20



Not dimmable



180 cm



Class 2

Measurements	Dimmable	Cable info	Switch	Max. W	Masterbox
H: 26 cm, W: 22,5 cm, shade Ø: 22 cm	No, cannot be dimmed	Black Textile Replaceable	On the cable	25W	Qty. 3

Shapes Floor *designed by Maria Berntsen*



Brass 2120074035
Metal/Glass



E27
(excl.)



IP20



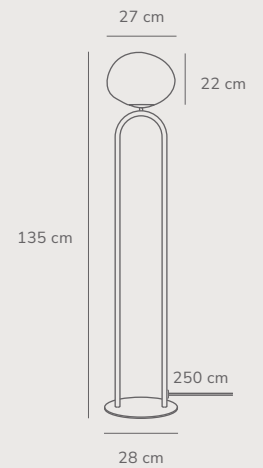
Not dimmable



250 cm



Class 2



Measurements	Dimmable	Cable info	Switch	Max. W	Masterbox
H: 135 cm, shade Ø: 27 cm, shade H: 22 cm, tube Ø: 1,9 cm	No, cannot be dimmed	Black Textile Not replaceable	On the cable	15W	Qty. 2

Stay Long Table *designed by Maria Berntsen*



Black 2020445003
Aluminium



E27
(excl.)



IP20



Not dimmable



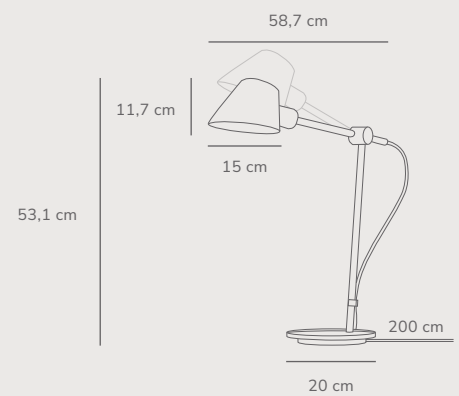
90°



250 cm



Class 2



Measurements	Dimmable	Cable info	Switch	Max. W	Masterbox
H: 53,1 cm, shade Ø: 15 cm, shade H: 11,7 cm, projection: 58,7 cm, tube Ø: 1,57 cm	No, cannot be dimmed	Black/Grey Textile Not replaceable	On the fixture	60W	Qty. 2

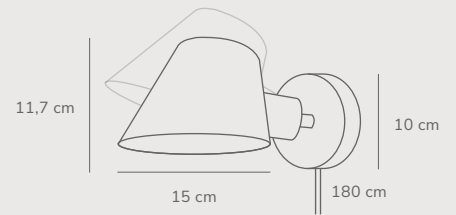
Stay Wall *designed by Maria Berntsen*



Black 2220381003
Aluminium



Grey 2220381010
Aluminium



E27
(excl.)



IP20



Not dimmable



90°



180 cm



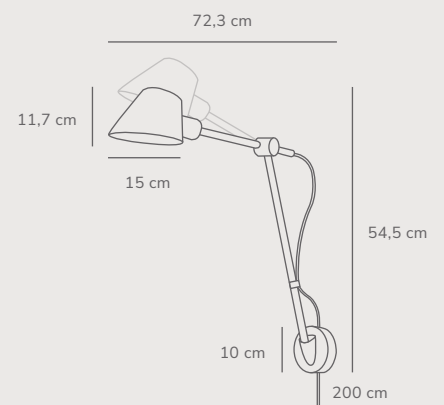
Class 2

Measurements	Dimmable	Cable info	Switch	Max. W	Masterbox
H: 11,7 cm, shade Ø: 15 cm, shade H: 11,7 cm	No, cannot be dimmed	Black/Grey Textile Replaceable	On the fixture	60W	Qty. 3

Stay Wall *designed by Maria Berntsen*



Black 2020455003
Aluminium



E27
(excl.)



IP20



Not dimmable



90°



180 cm



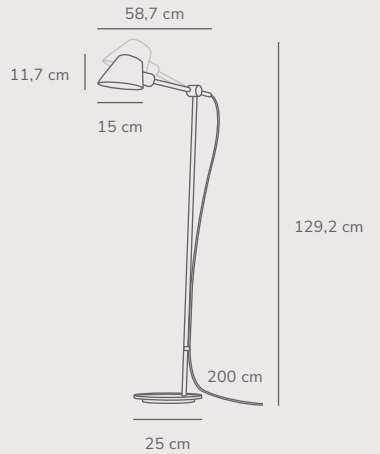
Class 2

Measurements	Dimmable	Cable info	Switch	Max. W	Masterbox
H: 54,5 cm, shade Ø: 15 cm, shade H: 11,7 cm, projection: 72,3 cm, tube Ø: 1,57 cm, wall base: Ø10 cm	No, cannot be dimmed	Black Textile Replaceable	On the fixture	60W	Qty. 2

Stay Floor *designed by Maria Berntsen*



Black 2020464003
Aluminium



E27
(excl.)



IP20



Not dimmable



90°



250 cm



Class 2

Measurements	Dimmable	Cable info	Switch	Max. W	Masterbox
H: 129,2 cm, shade Ø: 15 cm, shade H: 11,7 cm, projection: 58,7 cm, tube Ø: 1,57 cm	No, cannot be dimmed	Black Textile Not replaceable	On the fixture	60W	Qty. 1

Strap Table *designed by Bjørn+Balle*



White 46205001
Metal



Black 46205003
Metal



E27
(excl.)



IP20



Not dimmable



180 cm



Class 2



Incl. black &
brown strap

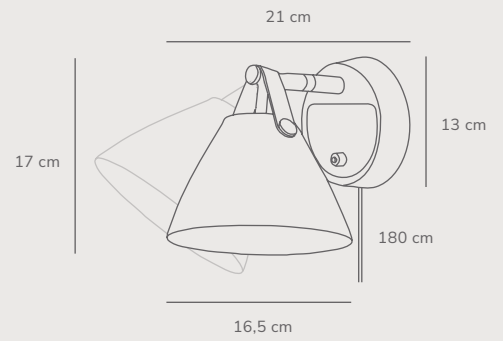
Measurements	Dimmable	Cable info	Switch	Max. W	Masterbox
H: 55 cm, shade Ø: 25 cm, shade H: 15,5 cm, tube Ø: 1,57 cm	No, cannot be dimmed	White/Black Textile Not replaceable	On the bulb base	40W	Qty. 3

Strap 15 Wall *designed by Bjørn+Balle*



White 84291001
Metal

Black 84291003
Metal



GU10
(excl.)



IP20



Not dimmable



90°



180 cm



Class 2



Incl. black &
brown strap

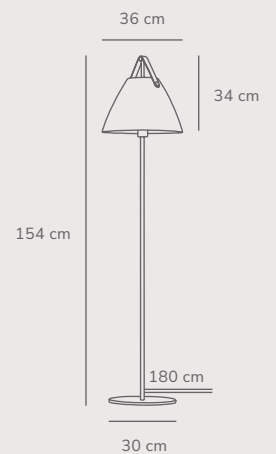
Measurements	Dimmable	Cable info	Switch	Max. W	Masterbox
H: 17 cm, shade Ø: 16,5 cm, shade H: 17 cm, projection: 21 cm, tube Ø: 1,6 cm, wall base: Ø 13 cm	No, cannot be dimmed	White/Black Plastic Replaceable	On the base	8W	Qty. 3

Strap Floor *designed by Bjørn+Balle*



White 46234001
Metal

Black 46234003
Metal



E27
(excl.)



IP20



Not dimmable



180 cm



Class 2



Incl. black &
brown strap

Measurements	Dimmable	Cable info	Switch	Max. W	Masterbox
H: 154 cm, shade Ø: 36 cm, shade H: 34 cm, tube Ø: 1,57 cm	No, cannot be dimmed	White/Black Textile Not replaceable	On the bulb base	40W	Qty. 2

Strap 16 Pendant *designed by Bjørn+Balle*



White 84303001
Metal

Black 84303003
Metal



GU10
(excl.)



IP20



Dimmable



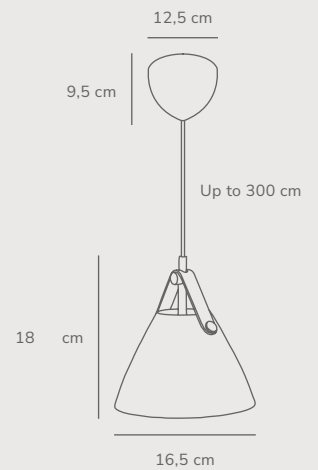
300 cm



Class 2



Incl. black &
brown strap



Measurements	Dimmable	Cable info	Canopy info	Max. W	Masterbox
Shade Ø: 16,5 cm, shade H: 18 cm	Yes, can be dimmed by choosing a dimmable bulb	White/Black Textile Not replaceable	White/Black Metal 12,5 cm x 9,5 cm	40W	Qty. 3

Strap 27 Pendant *designed by Bjørn+Balle*



White 84333001
Metal

Black 84333003
Metal

Beige 84333009
Metal

Opal white 84313001
Glass



E27
(excl.)



IP20



Dimmable



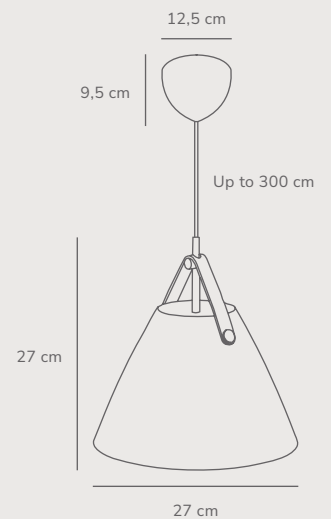
300 cm



Class 2



Incl. black &
brown strap

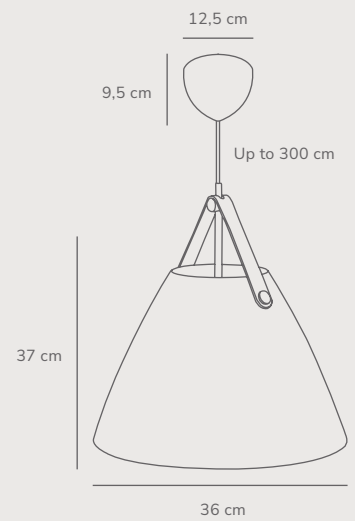


Measurements	Dimmable	Cable info	Canopy info	Max. W	Masterbox
H: 27 cm, shade Ø: 27 cm	Yes, can be dimmed by choosing a dimmable bulb	White/Black Textile Not replaceable	White/Black Metal 12,5 cm x 9,5 cm	40W	Qty. 3

Strap 36 Pendant *designed by Bjørn+Balle*



White 84343001 Metal Black 84343003 Metal Light grey 84343010 Felt Sand 84343008 Metal Beige 84343009 Metal



- E27 (excl.)
- IP20
- Dimmable
- 300 cm
- Class 2
- Incl. black & brown strap

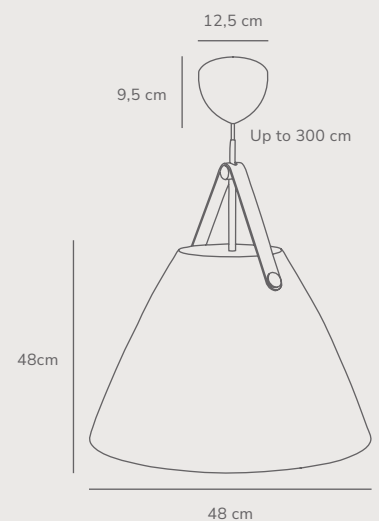
Measurements	Dimmable	Cable info	Canopy info	Max. W	Masterbox
H: 37 cm, shade Ø: 36 cm	Yes, can be dimmed by choosing a dimmable bulb	White/Black Textile Not replaceable	White/Black Metal 12,5 cm x 9,5 cm	40W	Qty. 2

Strap 48 Pendant *designed by Bjørn+Balle*



White 84353001 Metal Black 84353003 Metal

- E27 (excl.)
- IP20
- Dimmable
- 300 cm
- Class 2
- Incl. black & brown strap



Measurements	Dimmable	Cable info	Canopy info	Max. W	Masterbox
H: 48 cm, shade Ø: 48 cm	Yes, can be dimmed by choosing a dimmable bulb	White/Black Textile Not replaceable	White/Black Metal 12,5 cm x 9,5 cm	40W	Qty. 1

Takai 30 Pendant *designed by Sofie Lefèvre*



Novo

Beige 2620003018
Textile/Metal



E27
(excl.)



IP20



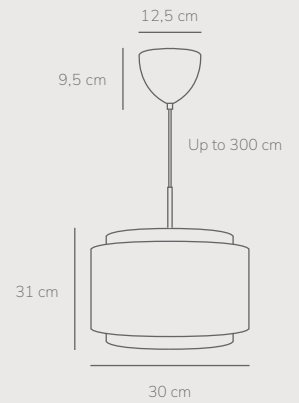
Dimmable



300 cm



Class 2



Measurements	Dimmable	Cable info	Canopy info	Max. W	Masterbox
H: 31 cm, shade Ø: 30 cm	Yes, can be dimmed by choosing a dimmable bulb	White Textile Not replaceable	White Metal 12,5 x 9,5 cm	15W	Qty. 3

Takai 45 Pendant *designed by Sofie Lefèvre*



Beige 2320403018
Textile/Metal



E27
(excl.)



IP20



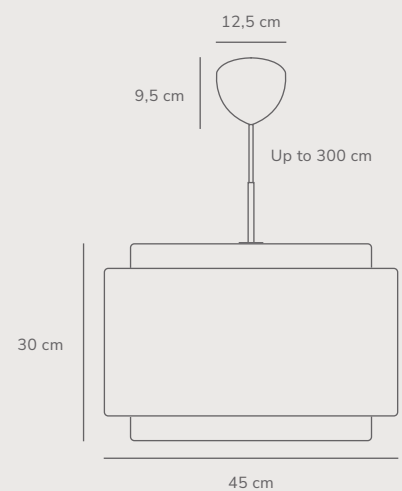
Dimmable



300 cm



Class 2

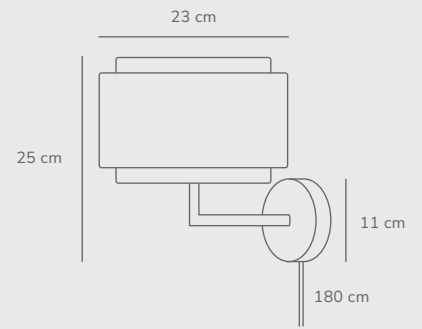


Measurements	Dimmable	Cable info	Canopy info	Max. W	Masterbox
H: 30 cm, shade Ø: 45 cm	Yes, can be dimmed by choosing a dimmable bulb	White Textile Not replaceable	White Metal 12,5 cm x 9,5 cm	25W	Qty. 2

Takai Wall *designed by Sofie Lefèvre*



Beige 2320421018
Textile/Metal



E27
(excl.)



IP20



Not dimmable



180 cm



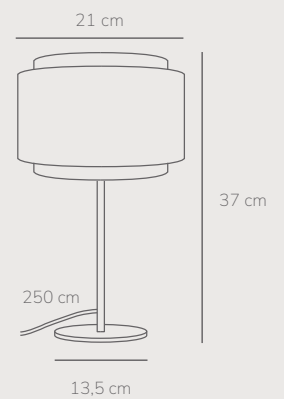
Class 2

Measurements	Dimmable	Cable info	Switch	Max. W	Masterbox
H: 25 cm, shade Ø: 23 cm, tube Ø: 1,15 cm, wall base: 11 cm	No, cannot be dimmed	White Textile Replaceable	On the fixture	25W	Qty. 3

Takai Table *designed by Sofie Lefèvre*



Beige 2620015018
Textile/Metal



E27
(excl.)



IP20



Not dimmable



250 cm



Class 2

Measurements	Dimmable	Cable info	Switch	Max. W	Masterbox
H: 37 cm, shade Ø: 21 cm, tube Ø: 1,15 cm, base Ø: 13,5 cm	No, cannot be dimmed	White Textile Not replaceable	On the bulb base	15W	Qty. 3

Takai Table *designed by Sofie Lefèvre*



Beige 2320445018
Marble/Textile



E27
(excl.)



IP20



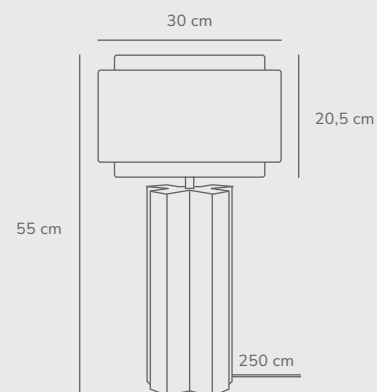
Not dimmable



250 cm



Class 2



Measurements	Dimmable	Cable info	Switch	Max. W	Masterbox
H: 55 cm, shade Ø: 30 cm, shade H: 20,5 cm	No, cannot be dimmed	White Textile Not replaceable	On the bulb base	25W	Qty. 2

Takai Floor *designed by Sofie Lefèvre*



Beige 2520054018
Textile/Metal



E27
(excl.)



IP20



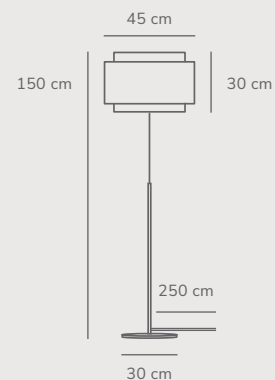
Not dimmable



250 cm



Class 2



Measurements	Dimmable	Cable info	Switch	Max. W	Masterbox
H: 150 cm, shade Ø: 45 cm, shade H: 30 cm, tube Ø: 1,9 cm	No, cannot be dimmed	White Textile Not replaceable	On the fixture	25W	Qty. 1

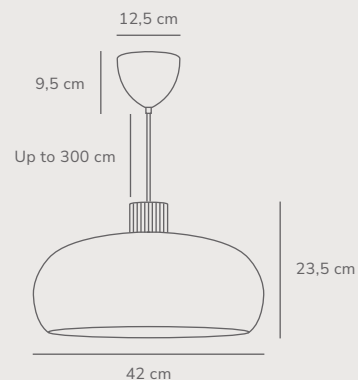


Pendants

Aurelio | Pendant *designed by Bjørn+Balle*



Black 2520103003
Metal/Wood



E27
(excl.)



IP20



Dimmable



300 cm



Class 2



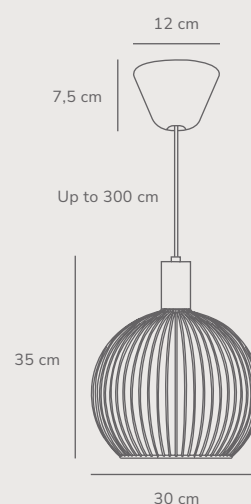
FSC™
certified

Measurements	Dimmable	Cable info	Canopy info	Max. W	Masterbox
Shade Ø: 42 cm, H: 23,5 cm	Yes, can be dimmed by choosing a dimmable bulb	Black Textile Not replaceable	Black Metal 12,5 x 9,5 cm	25W	Qty. 2

Aver 30 Pendant *designed by Carlo Volf*



Black 84243003
Metal



E27
(excl.)



IP20



Dimmable



300 cm



Class 2

Measurements	Dimmable	Cable info	Canopy info	Max. W	Masterbox
Shade H: 35 cm, shade Ø: 30 cm	Yes, can be dimmed by choosing a dimmable bulb	Black Textile Not replaceable	Black Plastic 12 cm x 7,5 cm	60W	Qty. 2

Aver 40 Pendant *designed by Carlo Volf*



Black 84253003
Metal



E27
(excl.)



IP20



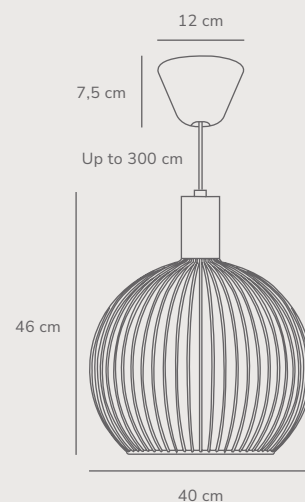
Dimmable



300 cm



Class 2



Measurements	Dimmable	Cable info	Canopy info	Max. W	Masterbox
H: 46 cm, shade Ø: 40 cm	Yes, can be dimmed by choosing a dimmable bulb	Black Textile Not replaceable	Black Plastic 12 cm x 7,5 cm	60W	Qty. 1

Aver 50 Pendant *designed by Carlo Volf*



Black 84263003
Metal



E27
(excl.)



IP20



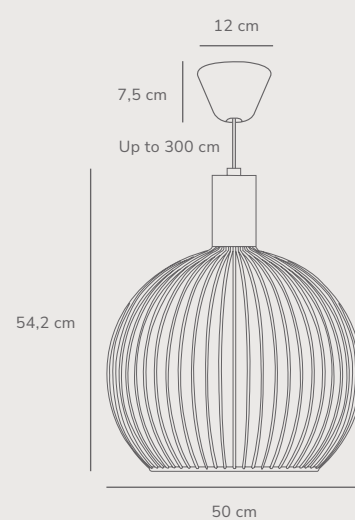
Dimmable



300 cm

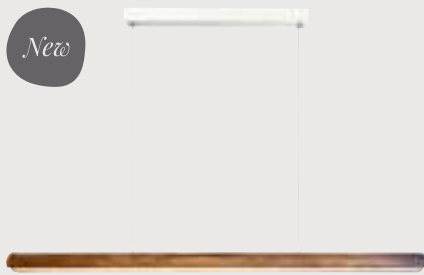


Class 2

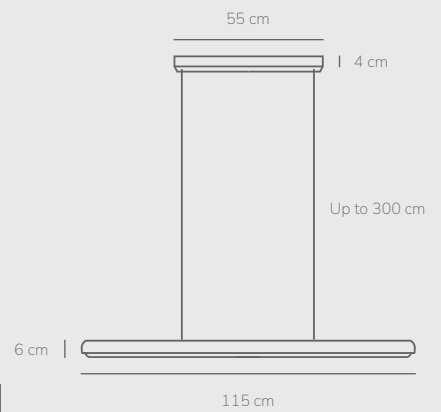


Measurements	Dimmable	Cable info	Canopy info	Max. W	Masterbox
H: 54,2 cm, shade Ø: 50 cm	Yes, can be dimmed by choosing a dimmable bulb	Black Textile Not replaceable	Black Plastic 12 cm x 7,5 cm	60W	Qty. 1

Akeno Pendant *designed by Bjørn+Balle*



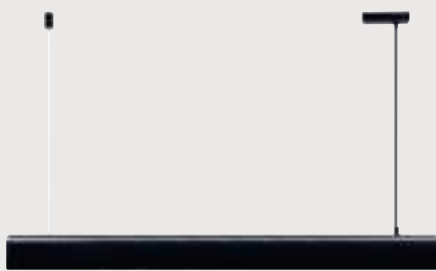
Brown 2620113014
Wood



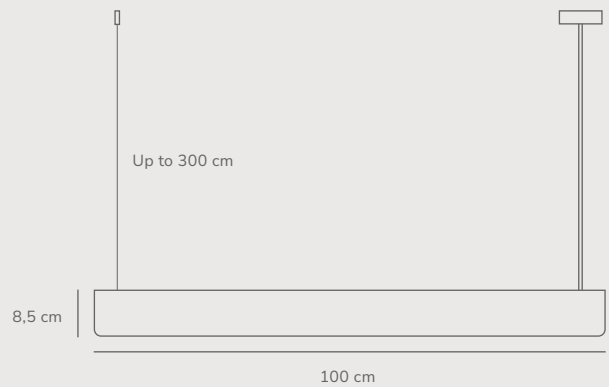
- Integrated LED
- 3000 kelvin
- IP20
- 1900 lumen
- Dimmable
- Ra 90
- 300 cm
- FSC™ certified
- Class 2

Measurements	Dimmable	Cable info	Canopy info	LED W	Lifespan	Masterbox
H: 6 cm, L: 115 cm, shade Ø: 6 cm	Yes, has built-in dimmable light source for wall dimmer	Clear Plastic Not replaceable	White Metal 55 x 4 cm	25W	30000 hours	Qty. 3

Beau 100 Pendant *designed by Sofie Lefèvre*



Black 2220483003
Metal



- S14S (incl.)
- IP20
- 1500 lm
- Dimmable
- 300 cm
- Class 2

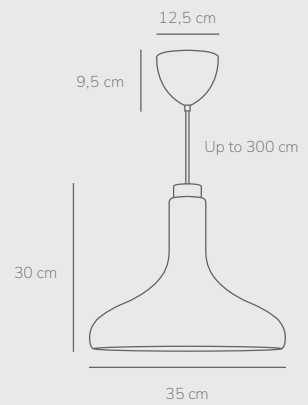
Measurements	Dimmable	Cable info	Max. W	Masterbox
H: 8,5 cm, L: 100 cm	Yes, can be dimmed by choosing a dimmable bulb (Incl. bulb is not dimmable)	Black Textile Not replaceable	15W	Qty. 3

Fuji | Pendant *designed by Says Who*



Black 2620153003
Metal/Wood

Beige 2620153009
Metal/Wood



E27
(excl.)



IP20



Dimmable



300 cm



FSC™
certified



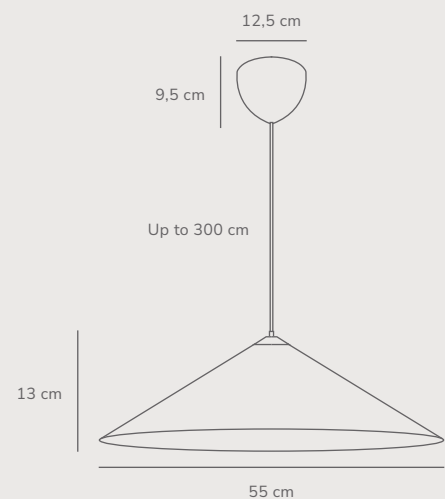
Class 2

Measurements	Dimmable	Cable info	Canopy info	Max. W	Masterbox
H: 30 cm, shade Ø: 35 cm	Yes, can be dimmed by choosing a dimmable bulb	Black/Beige Textile Not replaceable	Black/Beige Metal 12,5 x 9,5 cm	15W	Qty. 2

Hill 55 Pendant *designed by Asger Risborg*



White 2420073001
Tyvek



E14
(excl.)



IP20



Dimmable



300 cm



Class 2

Measurements	Dimmable	Cable info	Canopy info	Max. W	Masterbox
Shade H: 13 cm, shade Ø: 55 cm	Yes, can be dimmed by choosing a dimmable bulb	White Textile Not replaceable	White Metal 12,5 cm x 9,5 cm	3x15W	Qty. 3

Hill 85 Pendant *designed by Asger Risborg*



White 2220103060
Tyvek



E27
(excl.)



IP20



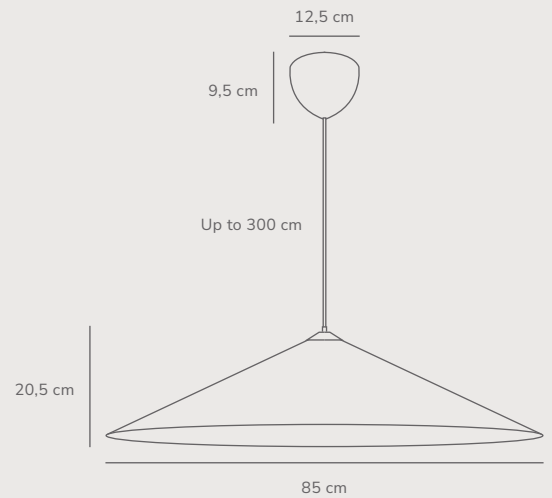
Dimmable



300 cm



Class 2



Measurements	Dimmable	Cable info	Canopy info	Max. W	Masterbox
Shade H: 20,5 cm, shade Ø: 85 cm	Yes, can be dimmed by choosing a dimmable bulb	White Textile Not replaceable	White Metal 12,5 cm x 9,5 cm	3x25W	Qty. 3

Kinto Pendant *designed by Bjørn+Balle*



White 2520083001
Metal

Black 2520083003
Metal



E27
(excl.)



IP20



Dimmable



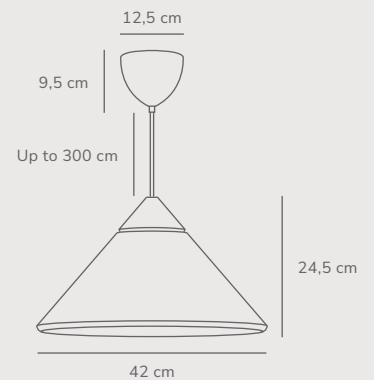
300 cm



Class 2



FSC™
certified



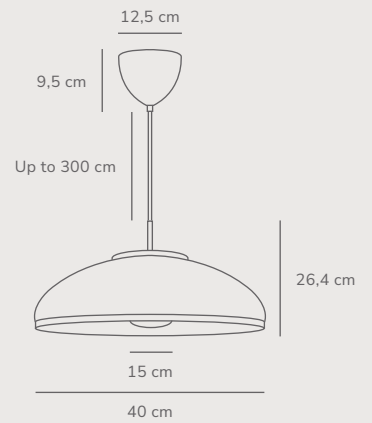
Measurements	Dimmable	Cable info	Canopy info	Max. W	Masterbox
Shade H: 24,5 cm, shade Ø: 42 cm	Yes, can be dimmed by choosing a dimmable bulb	White/Black Textile Not replaceable	White/Black Metal 12,5 x 9,5 cm	60W	Qty. 2

Latif Pendant *designed by Anker Studio*



Black 2520123003
Metal

Beige 2520123009
Metal

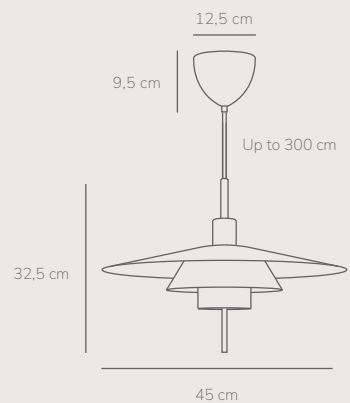


Measurements	Dimmable	Cable info	Canopy info	Max. W	Masterbox
Shade H: 26,4, shade Ø: 40 cm	Yes, can be dimmed by choosing a dimmable bulb	Black/Beige Textile Not replaceable	Black/Beige Metal 12,5 x 9,5 cm	25W	Qty. 2

Latika Pendant *designed by Says Who*



Brushed chrome 2620133033
Metal



Measurements	Dimmable	Cable info	Canopy info	Max. W	Masterbox
H: 32,5 cm, shade Ø: 45 cm	Yes, can be dimmed by choosing a dimmable bulb	Black Textile Not replaceable	Chrome Metal 12,5 x 9,5 cm	15W	Qty. 2

Navone 20 Pendant *designed by Sofie Lefèvre*



White 2220433001
Glass



E27
(excl.)



IP20



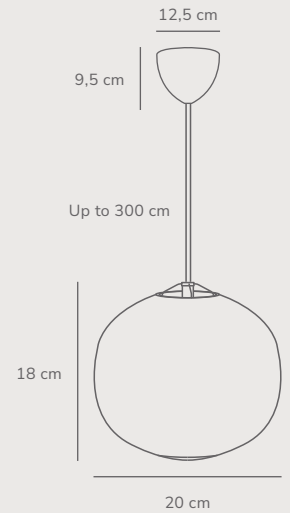
Dimmable



300 cm

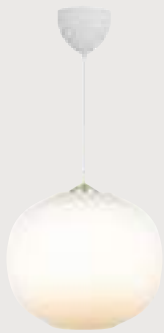


Class 2



Measurements	Dimmable	Cable info	Canopy info	Max. W	Masterbox
Shade H: 18 cm, shade Ø: 20 cm	Yes, can be dimmed by choosing a dimmable bulb	White Textile Not replaceable	White Metal 12,5 cm x 9,5 cm	40W	Qty. 3

Navone 30 Pendant *designed by Sofie Lefèvre*



White 2220443001
Glass



E27
(excl.)



IP20



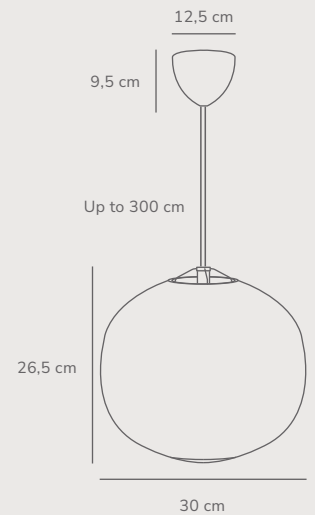
Dimmable



300 cm



Class 2

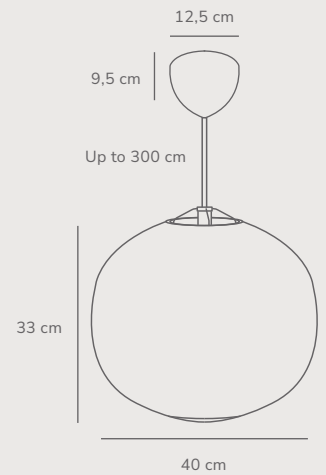
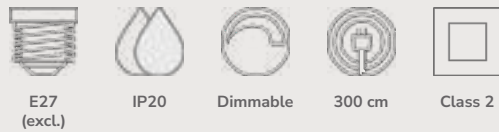


Measurements	Dimmable	Cable info	Canopy info	Max. W	Masterbox
H: 27,3 cm, shade Ø: 30 cm	Yes, can be dimmed by choosing a dimmable bulb	White Textile Not replaceable	White Metal 12,5 cm x 9,5 cm	40W	Qty. 2

Navone 40 Pendant *designed by Sofie Lefèvre*



White 2420103001
Glass

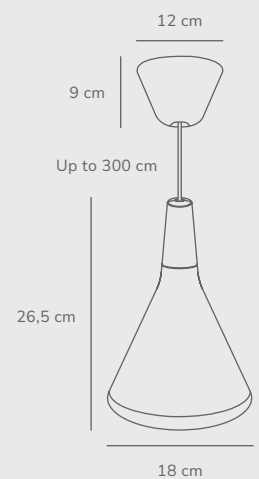


Measurements	Dimmable	Cable info	Canopy info	Max. W	Masterbox
H: 33 cm, shade Ø: 40 cm	Yes, can be dimmed by choosing a dimmable bulb	White Textile Not replaceable	White Metal 12,5 cm x 9,5 cm	40W	Qty. 2

Nori 18 Pendant *designed by Bjørn+Balle*



Black 2120803003
Metal/Wood



Measurements	Dimmable	Cable info	Canopy info	Max. W	Masterbox
H: 26,5 cm, shade Ø: 18 cm	Yes, can be dimmed by choosing a dimmable bulb	Black Textile Not replaceable	Black Plastic 12 cm x 9 cm	60W	Qty. 3

Nori 39 Pendant *designed by Bjørn+Balle*



White 2120823001
Metal/Wood



E27
(excl.)



IP20



Dimmable



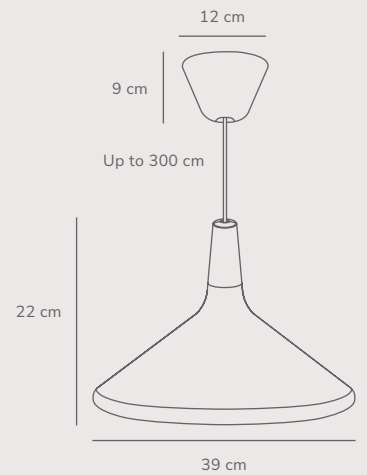
300 cm



Class 2



FSC™
certified



Measurements	Dimmable	Cable info	Canopy info	Max. W	Masterbox
H: 22 cm, shade Ø: 39 cm	Yes, can be dimmed by choosing a dimmable bulb	White/Black Textile Not replaceable	White/Black Plastic 11,7 cm x 9 cm	40W	Qty. 2

Versale 35 Pendant *designed by Anker Studio*



White 2420013001
Metal



Black 2420013003
Metal



Brown 2420013009
Metal



E27
(excl.)



IP20



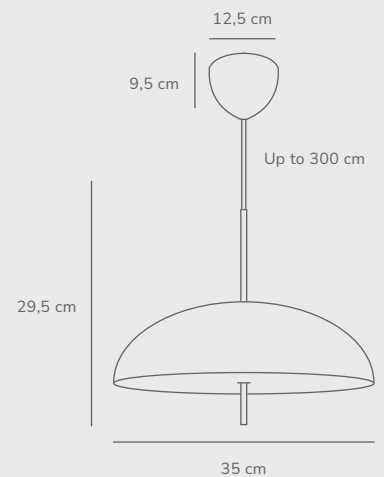
Dimmable



300 cm



Class 2



Measurements	Dimmable	Cable info	Canopy info	Max. W	Masterbox
H: 29,5 cm, shade Ø: 35 cm	Yes, can be dimmed by choosing a dimmable bulb	White/Black/Brown Textile Not replaceable	White/Black/Brown Metal 12,5 cm x 9,5 cm	2x40W	Qty. 3

Versale 50 Pendant *designed by Anker Studio*



White 2220053001
Metal

Black 2220053003
Metal

Brown 2220053009
Metal



E27
(excl.)



IP20



Dimmable



300 cm



Class 2



Measurements	Dimmable	Cable info	Canopy info	Max. W	Masterbox
H: 41 cm, shade Ø: 49,5 cm	Yes, can be dimmed by choosing a dimmable bulb	White/Black/Brown Textile Not replaceable	White/Black/Brown Metal 12,5 cm x 9,5 cm	2x15W	Qty. 3

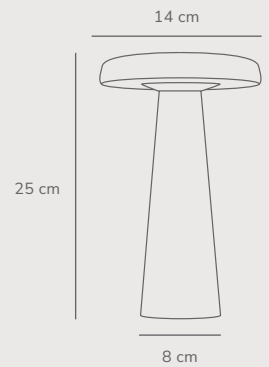


*Table & portable
lamps*

Arcello Portable *designed by Bjørn+Balle*



Burnished brass 2220155061
Metal/Plastic



Integrated LED



2700 kelvin



IP54



300 lm



Moodmaker



Ra 80



100 cm



Class 3



USB charging

Measurements	Dimmable	Cable info	Battery info	Switch	LED W	Lifespan	Masterbox
H: 25 cm, shade Ø: 14 cm	3-step Moodmaker™ 300 lm - 200 lm - 100 lm	Black Plastic Replaceable	Lithium-ion 3,7V Lasting time 300 lm = 5h 200 lm = 10h 100 lm = 20h Recharging time 4h	Under the table base	2,8W	15000 hours	Qty. 3

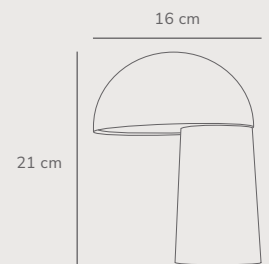
Faye Portable *designed by Charlotte Høncke Design*



Black 2420155003
Metal



Beige 2420155009
Metal



Integrated LED



2700 kelvin



IP20



300 lm



Moodmaker



Ra 80



150 cm



Class 3



USB charging

Measurements	Dimmable	Cable info	Battery info	Switch	LED W	Lifespan	Masterbox
H: 21 cm, shade Ø: 16 cm	3-step Moodmaker™ 230 lm - 92 lm - 23 lm	Black/White Plastic USB-C cable incl.	Lithium-ion 3,7V Lasting time 230 lm = 8h 92 lm = 15h 23 lm = 65h Recharging time 8h	On the fixture	4,3W	25000 hours	Qty. 3

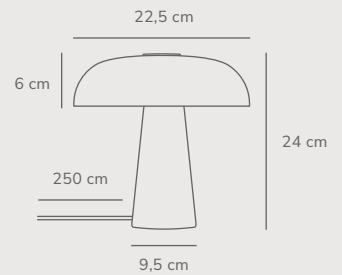
Glossy Mini Table *designed by Maria Berntsen*



White 2520015001
Marble/Glass

Beige 2520015009
Marble/Glass

Pink 2520015057
Marble/Glass



E14
(excl.)



IP20



Not dimmable



250 cm



Class 2

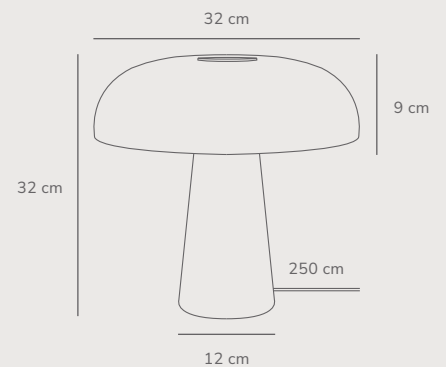
Measurements	Dimmable	Cable info	Switch	Max. W	Masterbox
Shade Ø: 22.5 cm, shade H: 6 cm, H: 24 cm,	No, cannot be dimmed	White Textile Not replaceable	On the cable	15W	Qty. 3

Glossy Table *designed by Maria Berntsen*



Opal white 2020505001
Marble/Glass

Grey 2020505010
Marble/Glass



E27
(excl.)



IP20



Not dimmable



250 cm



Class 2

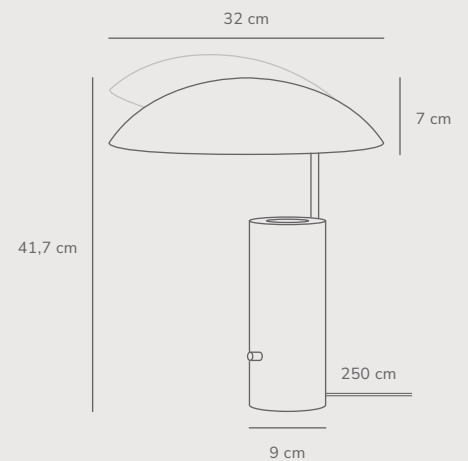
Measurements	Dimmable	Cable info	Switch	Max. W	Masterbox
Shade Ø: 32 cm, shade H: 9 cm	No, cannot be dimmed	White Textile Not replaceable	On the cable	15W	Qty. 2

Mademoiselles Table *designed by Sofie Lefèvre*



White 2220405001
Marble/Metal

Black 2220405003
Marble/Metal



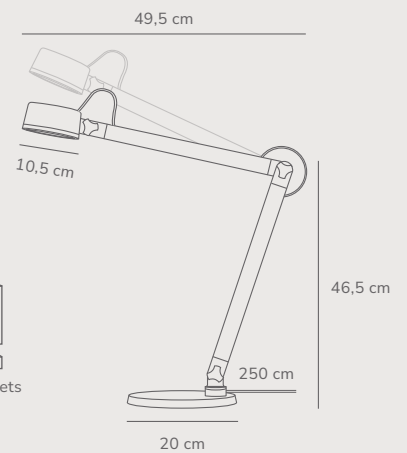
Measurements	Dimmable	Cable info	Switch	Max. W	Masterbox
H: 41,7 cm, shade Ø: 32 cm, shade H: 7 cm, tube Ø: 1,15 cm	No, cannot be dimmed	White/Black Textile Not replaceable	On the base	15W	Qty. 2

Nobu Table *designed by Bonnelycke MDD*



Black 2120405003
Metal

Grey 2120405010
Metal



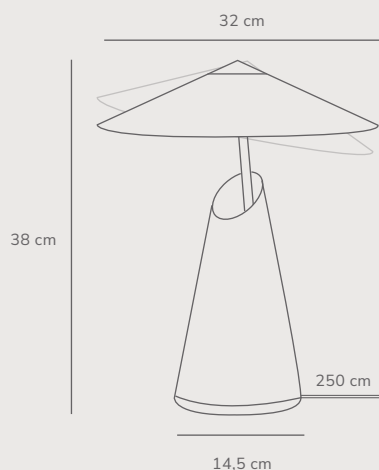
Measurements	Dimmable	Cable info	Switch	LED W	Lifespan	Masterbox
H: 46,5 cm, base Ø: 20 cm, L: 49,5 cm, shade Ø: 10,5 cm, shade H: 5 cm, tube Ø: 3 cm	Yes, has built-in dimmable light source with button or touch	Black/Grey Textile Not replaceable	On the fixture	6W	30000 hours	Qty. 2

Taido Table *designed by Anker Studio*



Chrome 2320375033
Metal

Brown 2320375018
Metal



E27
(excl.)



IP20



Not dimmable



25°



250 cm



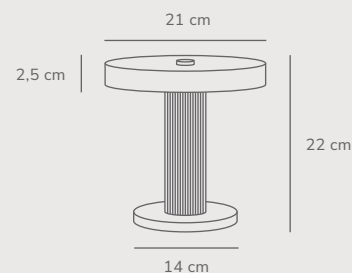
Class 2

Measurements	Dimmable	Cable info	Switch	Max. W	Masterbox
H: 38 cm, shade Ø: 32 cm, tube Ø: 1 cm, base Ø: 14,5 cm	No, cannot be dimmed	White/Black Textile Not replaceable	On the cable	25W	Qty. 3

Trezzi Portable *designed by Anker Studio*



White 2520135001
Metal/Glass



Integrated
LED



3000
kelvin



IP20



Moodmaker



Ra 90



150 cm



USB-C
charging



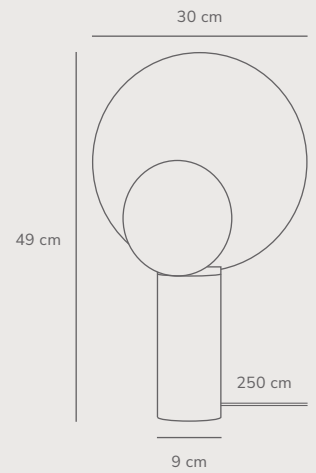
Class 3

Measurements	Dimmable	Cable info	Battery info	Switch	LED W	Lifespan
H: 22 cm, shade Ø: 21 cm, base Ø: 14 cm	Moodmaker™ 370 lm - 155 lm - 43 lm	Black Plastic USB-C cable incl.	Lithium-ion 3,7V Lasting time 370 lm = 7h 155 lm = 19h 43 lm = 60h Recharging time 7,5h	Touch on/off on the fixture	5W	30000 hours

Caché Table *designed by Charlotte Høncke Design*



Matt grey 2220275010
Marble/Metal



Measurements	Dimmable	Cable info	Switch	Max. W	Masterbox
H: 49 cm, shade Ø: 30 cm, base Ø: 9 cm	No, cannot be dimmed	White/Black Textile Not replaceable	On the cable	40W	Qty. 2





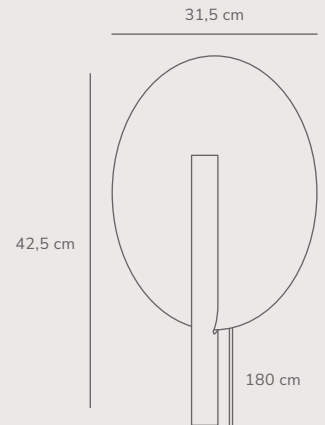
Wall lamps

Furiko Wall *designed by Anker Studio*



Black 2320241003
Metal

Brushed Brass 2320241035
Metal



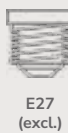
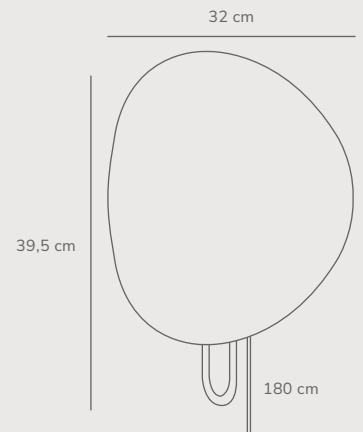
Measurements	Dimmable	Cable info	Switch	Max. W	Masterbox
H: 42,5 cm, shade Ø: 31,5 cm	No, cannot be dimmed	White Textile Not replaceable	On the cable	6W	Qty. 3

Spargo Wall *designed by Anker Studio*

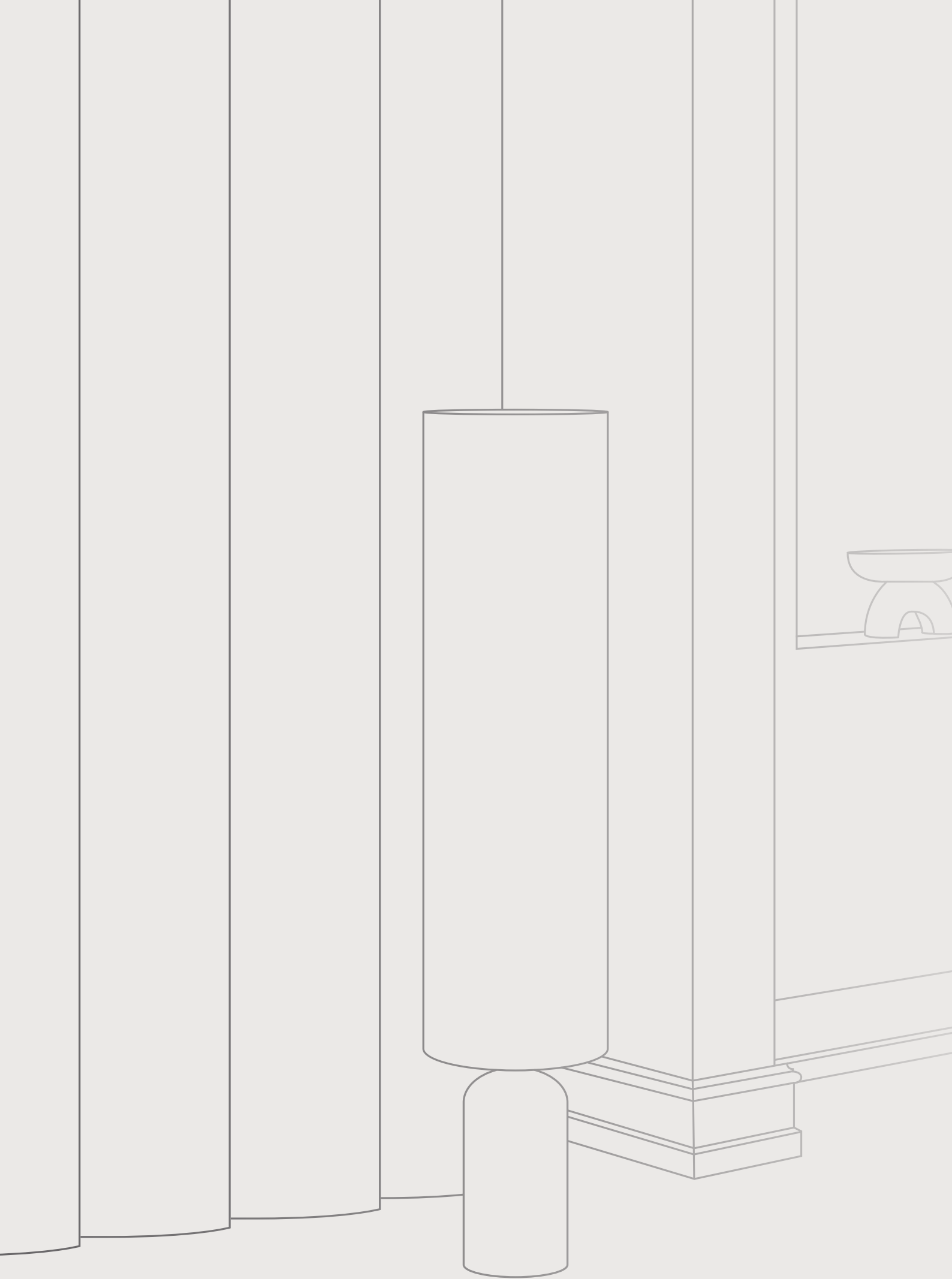


White/Brass 2320361001
Metal

Black/Brass 2320361003
Metal



Measurements	Dimmable	Cable info	Switch	Max. W	Masterbox
H: 39,5 cm, shade Ø: 32 cm	No, cannot be dimmed	White/Black Textile Replaceable	On the cable	25W	Qty. 3



Floor lamps

Talli Floor *designed by Anker Studio*



Brown 2420054018
Metal/Tyvek



E27
(excl.)



IP20



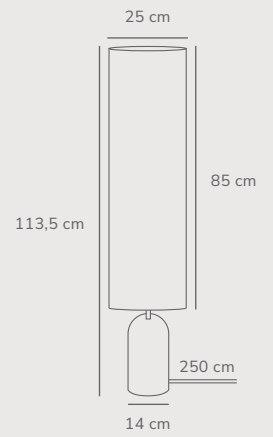
Not dimmable



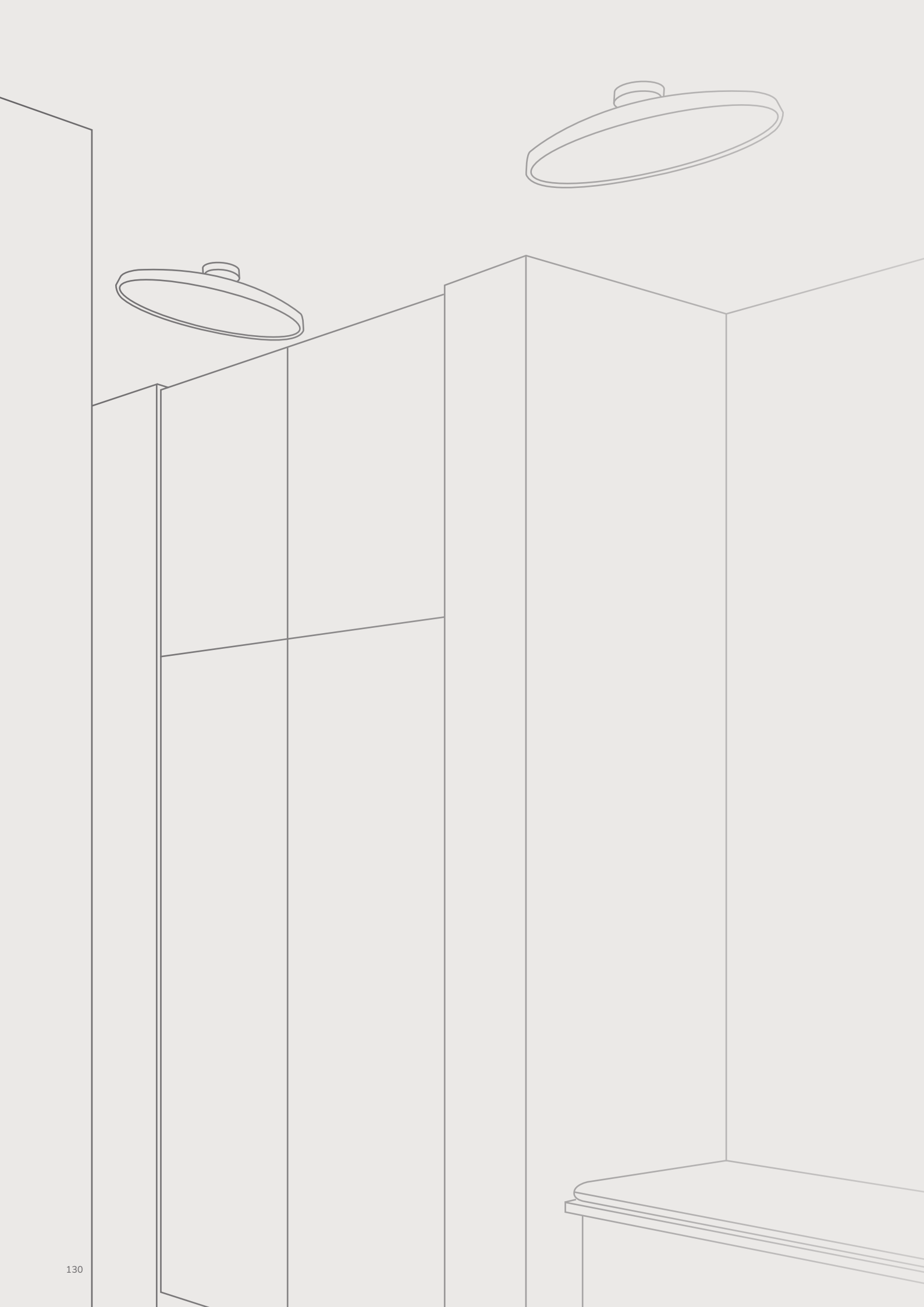
250 cm



Class 2



Measurements	Dimmable	Cable info	Switch	Max. W	Masterbox
H: 113,5 cm, shade Ø: 25 cm, shade H: 85 cm, tube Ø: 1,56 cm	No, cannot be dimmed	Black Textile Not replaceable	On the cable	40W	Qty. 3

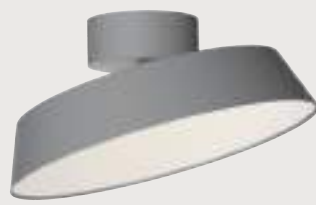


Ceiling lamps

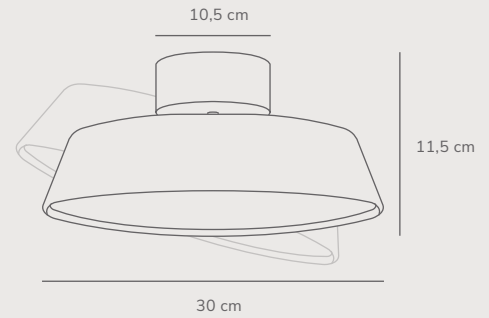
Kaito Dim Ceiling *designed by Bønnelycke MDD*



White 2320536001
Metal



Grey 2320536010
Metal

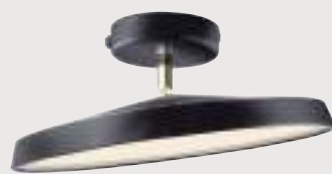


Measurements	Dimmable	Canopy info	LED W	Lifespan	Masterbox
H: 11,7 cm, shade Ø: 30 cm	Yes, has built-in dimmable light source for wall dimmer	White/Grey Metal 10,5 x 2,5 cm	13W	30000 hours	Qty. 3

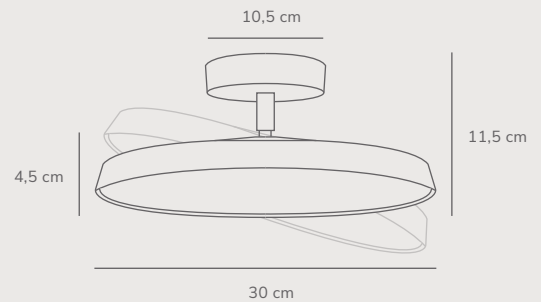
Kaito Pro 30 Ceiling *designed by Bønnelycke MDD*



White 2320546001
Metal



Black 2320546003
Metal

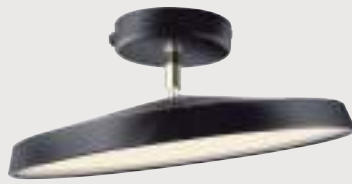


Measurements	Dimmable	Canopy info	LED W	Lifespan	Masterbox
H: 11,5 cm, base Ø: 10,5 cm, shade Ø: 30 cm, shade H: 4,5 cm	Yes, has built-in dimmable light source for wall dimmer	White/Black Metal 10,5 x 2,5 cm	18W	30000 hours	Qty. 3

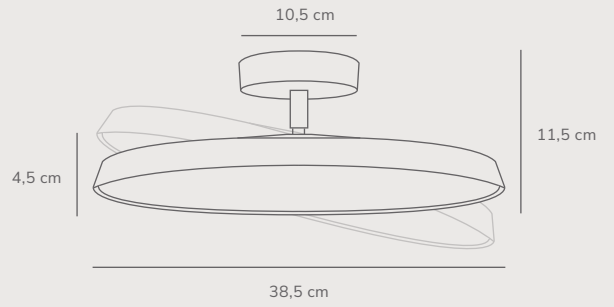
Kaito Pro 40 Ceiling *designed by Bonnelycke MDD*



White 2320556001
Metal



Black 2320556003
Metal



Integrated LED



3000 kelvin



IP20



2270 lm



Dimmable



Ra 80



35°



Class 2

Measurements	Dimmable	Canopy info	LED W	Lifespan	Masterbox
H: 11,7 cm, base Ø: 10,6 cm, shade Ø: 38,5 cm, shade H: 4,5 cm	Yes, has built-in dimmable light source for wall dimmer	White/Black Metal 10,5 x 2,5 cm	26W	30000 hours	Qty. 3



Product index



<i>Model</i>	<i>Item number</i>	<i>Material</i>	<i>EAN</i>	<i>Switch</i>	<i>Page</i>
<i>Akeno Pendant Brown</i>	2620113014	Wood	5704924026751		106
<i>Angle E27 Pendant Black</i>	2020673003	Metal	5704924003035		80
<i>Angle E27 Pendant White/telegrey</i>	2020673001	Metal	5704924003028		80
<i>Angle GU10 Wall light Black</i>	2120601003	Metal	5704924004153	On the wall base	80
<i>Angle GU10 Wall light White/Telegrey</i>	2120601001	Metal	5704924004162	On the wall base	80
<i>Arcello Portable Table lamp Burnished brass</i>	2220155061	Metal	5704924010040	Under the table/ground base	116
<i>Artist Table lamp Black</i>	2520035003	Metal	5704924024023	On the cable	83
<i>Artist Table lamp Stainless steel</i>	2520035034	Metal	5704924024030	On the cable	83
<i>Artist 25 Pendant Beige</i>	2420203009	Metal	5704924022562		81
<i>Artist 25 Pendant Black</i>	2420203003	Metal	5704924022555		81
<i>Artist 25 Pendant Copper</i>	2420203030	Metal	5704924022586		81
<i>Artist 25 Pendant Dusty rose</i>	2420203057	Metal	5704924024122		81
<i>Artist 25 Pendant Grey</i>	2420203010	Metal	5704924022579		81
<i>Artist 25 Pendant Stainless steel</i>	2420203034	Metal	5704924024146		81
<i>Artist 40 Pendant Beige</i>	2420223009	Metal	5704924022609		82
<i>Artist 40 Pendant Black</i>	2420223003	Metal	5704924022593		82
<i>Artist 40 Pendant Copper</i>	2420223030	Metal	5704924022623		82
<i>Artist 40 Pendant Dusty rose</i>	2420223057	Metal	5704924024139		82
<i>Artist 40 Pendant Grey</i>	2420223010	Metal	5704924022616		82
<i>Artist 40 Pendant Stainless steel</i>	2420223034	Metal	5704924024153		82
<i>Aurelio Pendant Black</i>	2520103003	Metal	5704924024078		104
<i>Azer 30 Pendant Black</i>	84243003	Metal	5701581337183		104
<i>Azer 40 Pendant Black</i>	84253003	Metal	5701581337282		105
<i>Azer 50 Pendant Black</i>	84263003	Metal	5701581337381		105
<i>Beau 100 Pendant Black</i>	2220483003	Metal	5704924010248		106
<i>Caché Table lamp Grey</i>	2220275010	Marble	5704924010088	On the cable	120
<i>Darci Floor lamp Black</i>	2120584003	Metal	5704924004261	On the cable	83
<i>Darci Floor lamp Sand</i>	2120584008	Metal	5704924026782	On the cable	83
<i>Darci Wall light Black</i>	2120551003	Metal	5704924004247	On the wall base	84
<i>Darci Wall light Sand</i>	2120551008	Metal	5704924026768	On the wall base	84
<i>Darci Short Wall light Black</i>	2320221003	Metal	5704924014420	On the wall base	84
<i>Darci Short Wall light Sand</i>	2320221008	Metal	5704924026775	On the wall base	84
<i>Faye Portable Table lamp Beige</i>	2420155009	Metal	5704924018312	On the table/ground base	116
<i>Faye Portable Table lamp Black</i>	2420155003	Metal	5704924018305	On the table/ground base	116
<i>Fuji Pendant Beige</i>	2620153009	Metal	5704924026829		107
<i>Fuji Pendant Black</i>	2620153003	Metal	5704924026836		107
<i>Furiko Wall light Black</i>	2320241003	Metal	5704924014444	On the cable	124
<i>Furiko Wall light Brushed Brass</i>	2320241035	Metal	5704924014437	On the cable	124
<i>Glossy Table lamp Grey</i>	2020505010	Marble	5704924009358	On the cable	117
<i>Glossy Table lamp Opal white</i>	2020505001	Marble	5704924001024	On the cable	117
<i>Glossy Mini Table lamp Beige</i>	2520015009	Marble	5704924023996	On the cable	117
<i>Glossy Mini Table lamp Pink</i>	2520015057	Pink Jade	5704924024009	On the cable	117
<i>Glossy Mini Table lamp White</i>	2520015001	Marble	5704924024016	On the cable	117
<i>Hill 55 Pendant White</i>	2420073001	Tyvek	5704924018299		107
<i>Hill 85 Pendant White</i>	2220103060	Tyvek	5704924009945		108
<i>Kaito 2 Dim Ceiling light Grey</i>	2320536010	Metal	5704924021848		132
<i>Kaito 2 Dim Ceiling light White</i>	2320536001	Metal	5704924021831		132

<i>Model</i>	<i>Item number</i>	<i>Material</i>	<i>EAN</i>	<i>Switch</i>	<i>Page</i>
<i>Kaito 2 Pro 30 Ceiling light Black</i>	2320546003	<i>Metal</i>	5704924021862		132
<i>Kaito 2 Pro 30 Ceiling light White</i>	2320546001	<i>Metal</i>	5704924021855		132
<i>Kaito 2 Pro 40 Ceiling light Black</i>	2320556003	<i>Metal</i>	5704924021886		133
<i>Kaito 2 Pro 40 Ceiling light White</i>	2320556001	<i>Metal</i>	5704924021879		133
<i>Kinto Pendant Black</i>	2520083003	<i>Metal</i>	5704924024061		108
<i>Kinto Pendant White</i>	2520083001	<i>Metal</i>	5704924024054		108
<i>Latif Pendant Beige</i>	2520123009	<i>Metal</i>	5704924024108		109
<i>Latif Pendant Black</i>	2520123003	<i>Metal</i>	5704924024092		109
<i>Latika Pendant Brushed chrome</i>	2620133033	<i>Metal</i>	5704924026812		109
<i>Mademoiselles Table lamp Black</i>	2220405003	<i>Marble</i>	5704924010163	<i>On the table/ground base</i>	118
<i>Mademoiselles Table lamp White</i>	2220405001	<i>Marble</i>	5704924010170	<i>On the table/ground base</i>	118
<i>Makoto Floor lamp Satin chrome</i>	2620094033	<i>Aluminium</i>	5704924026737	<i>On the cable</i>	86
<i>Makoto Table lamp Satin chrome</i>	2620075033	<i>Aluminium</i>	5704924026720	<i>On the cable</i>	85
<i>Makoto Wall light Satin chrome</i>	2620051033	<i>Aluminium</i>	5704924026713	<i>On the cable</i>	85
<i>MIB Ceiling light Black</i>	2020666003	<i>Metal</i>	5704924002434		88
<i>MIB Ceiling light White</i>	2020666001	<i>Metal</i>	5704924002427		88
<i>MIB 6 Floor lamp Black</i>	71704003	<i>Metal</i>	5701581364387	<i>On the fixture</i>	87
<i>MIB 6 Floor lamp White</i>	71704001	<i>Metal</i>	5701581364288	<i>On the fixture</i>	87
<i>Mib 6 Pendant Black</i>	71679903	<i>Metal</i>	5701581324084		87
<i>Mib 6 Pendant Chrome</i>	71679933	<i>Metal</i>	5704924014451		87
<i>Mib 6 Pendant White</i>	71679901	<i>Metal</i>	5701581332485		87
<i>MIB 6 Table lamp Black</i>	71655003	<i>Metal</i>	5701581364189	<i>On the fixture</i>	86
<i>MIB 6 Table lamp White</i>	71655001	<i>Metal</i>	5701581364080	<i>On the fixture</i>	86
<i>MIB 6 Wall light Black</i>	61681003	<i>Metal</i>	5704924000409	<i>On the wall base</i>	88
<i>MIB 6 Wall light Chrome</i>	61681033	<i>Metal</i>	5704924014468	<i>On the wall base</i>	88
<i>MIB 6 Wall light White</i>	61681001	<i>Metal</i>	5704924000393	<i>On the wall base</i>	88
<i>Navone 20 Pendant White</i>	2220433001	<i>Glass</i>	5704924010071		110
<i>Navone 30 Pendant White</i>	2220443001	<i>Glass</i>	5704924010132		110
<i>Navone 40 Pendant White</i>	2420103001	<i>Glass</i>	5704924018275		111
<i>Nexus 2 Wall light White/Telegrey</i>	2020601001	<i>Metal</i>	5704924002366	<i>On the fixture</i>	90
<i>Nexus 2.0 Pendant White/telegrey</i>	2020583001	<i>Metal</i>	5704924002342		89
<i>Nexus 2.0 Small Pendant White/telegrey</i>	2020563001	<i>Metal</i>	5704924002328		89
<i>Nöbu Table lamp Black</i>	2120405003	<i>Metal</i>	5704924000942	<i>On the fixture</i>	118
<i>Nöbu Table lamp Grey</i>	2120405010	<i>Metal</i>	5704924000959	<i>On the fixture</i>	118
<i>Nöri 18 Pendant Black</i>	2120803003	<i>Metal</i>	5704924006470		111
<i>Nöri 39 Pendant White</i>	2120823001	<i>Metal</i>	5704924006494		112
<i>Shapes Floor lamp Brass</i>	2120074035	<i>Glass</i>	5704924004100	<i>On the cable</i>	92
<i>Shapes Table lamp Brass</i>	2120055035	<i>Metal</i>	5704924004094	<i>On the cable</i>	91
<i>Shapes Wall light Brass</i>	2320321035	<i>Metal</i>	5704924014512	<i>On the cable</i>	91
<i>Shapes 27 Pendant Brass</i>	2120023035	<i>Glass</i>	5704924004087		90
<i>Spargo Wall light Black/Brass</i>	2320361003	<i>Metal</i>	5704924014550	<i>On the cable</i>	124
<i>Spargo Wall light White/Brass</i>	2320361001	<i>Metal</i>	5704924014543	<i>On the cable</i>	124
<i>Stay Floor lamp Black</i>	2020464003	<i>Aluminium</i>	5704924001000	<i>On the fixture</i>	94
<i>Stay Wall light Black</i>	2020455003	<i>Aluminium</i>	5704924000980	<i>On the fixture</i>	93
<i>Stay Wall light Black</i>	2220381003	<i>Aluminium</i>	5704924010156	<i>On the fixture</i>	93
<i>Stay Wall light Grey</i>	2220381010	<i>Aluminium</i>	5704924010064	<i>On the fixture</i>	93
<i>Stay Long Table lamp Black</i>	2020445003	<i>Metal</i>	5704924000966	<i>On the fixture</i>	92

<i>Model</i>	<i>Item number</i>	<i>Material</i>	<i>EAN</i>	<i>Switch</i>	<i>Page</i>
<i>Strap Floor lamp Black</i>	46234003	<i>Metal</i>	5701581397385	<i>On the bulb base</i>	95
<i>Strap Floor lamp White</i>	46234001	<i>Metal</i>	5701581397286	<i>On the bulb base</i>	95
<i>Strap Table lamp Black</i>	46205003	<i>Metal</i>	5701581397187	<i>On the fixture</i>	94
<i>Strap Table lamp White</i>	46205001	<i>Metal</i>	5701581397088	<i>On the fixture</i>	94
<i>Strap 15 Wall light Black</i>	84291003	<i>Metal</i>	5701581364783	<i>On the wall base</i>	95
<i>Strap 15 Wall light White</i>	84291001	<i>Metal</i>	5701581364684	<i>On the wall base</i>	95
<i>Strap 16 Pendant Black</i>	84303003	<i>Metal</i>	5701581364981		96
<i>Strap 16 Pendant White</i>	84303001	<i>Metal</i>	5701581364882		96
<i>Strap 27 Pendant Beige</i>	84333009	<i>Metal</i>	5701581485389		96
<i>Strap 27 Pendant Black</i>	84333003	<i>Metal</i>	5701581337886		96
<i>Strap 27 Pendant Opal white</i>	84313001	<i>Glass</i>	5701581337688		96
<i>Strap 27 Pendant White</i>	84333001	<i>Metal</i>	5701581337787		96
<i>Strap 36 Pendant Beige</i>	84343009	<i>Metal</i>	5701581485488		97
<i>Strap 36 Pendant Black</i>	84343003	<i>Metal</i>	5701581338289		97
<i>Strap 36 Pendant Light grey</i>	84343010	<i>Felt</i>	5704924024160		97
<i>Strap 36 Pendant Sand</i>	84343008	<i>Metal</i>	5704924024184		97
<i>Strap 36 Pendant White</i>	84343001	<i>Metal</i>	5701581338180		97
<i>Strap 48 Pendant Black</i>	84353003	<i>Metal</i>	5701581338685		97
<i>Strap 48 Pendant White</i>	84353001	<i>Metal</i>	5701581338586		97
<i>Táido Table lamp Brown</i>	2320375018	<i>Metal</i>	5704924014567	<i>On the cable</i>	119
<i>Táido Table lamp Chrome</i>	2320375033	<i>Metal</i>	5704924014574	<i>On the cable</i>	119
<i>Tákai Floor lamp Beige</i>	2520054018	<i>Textile</i>	5704924024047	<i>On the fixture</i>	100
<i>Tákai Pendant Beige</i>	2320403018	<i>Textile</i>	5704924015441		98
<i>Tákai Table lamp Beige</i>	2320445018	<i>Marble</i>	5704924014581	<i>On the fixture</i>	100
<i>Tákai Table lamp Beige</i>	2620015018	<i>Textile</i>	5704924026706	<i>On the fixture</i>	99
<i>Tákai Wall light Beige</i>	2320421018	<i>Textile</i>	5704924015458	<i>On the fixture</i>	99
<i>Tákai 30 Pendant Beige</i>	2620003018	<i>Textile</i>	5704924026744		98
<i>Tállí Floor lamp Brown</i>	2420054018	<i>Tyvek</i>	5704924018282	<i>On the cable</i>	128
<i>Trezzi Portable Table lamp White</i>	2520135001	<i>Metal</i>	5704924024115	<i>On the fixture</i>	119
<i>Versale 35 Pendant Black</i>	2420013003	<i>Metal</i>	5704924018251		112
<i>Versale 35 Pendant Brown</i>	2420013009	<i>Metal</i>	5704924018268		112
<i>Versale 35 Pendant White</i>	2420013001	<i>Metal</i>	5704924018244		112
<i>Versale 50 Pendant Black</i>	2220053003	<i>Metal</i>	5704924010026		113
<i>Versale 50 Pendant Brown</i>	2220053009	<i>Metal</i>	5704924010309		113
<i>Versale 50 Pendant White</i>	2220053001	<i>Metal</i>	5704924009907		113

Der tages forbehold for ændringer m.h.t. tekniske specifikationer, design og kolistørrelser.

Vi förbehåller oss för ändring med hänsyn till tekniska specifikationer, design och kolistorlek.

We reserve the right to changes as to technical specifications, design and number of packages.

Wir nehmen Vorbehalt für Änderungen bezgl. technischer Spezifikationen, Design und Verpackungseinheiten.

Nous nous réservons le droit de modifier toute documentation technique, design et colisage.

We behouden ons het recht om technische specificaties, ontwerp en verpakkingsaantal te wijzigen zonder voorafgaande kennisgeving.

nordlux.com

instagram @dftpglobal

pinterest @dftpglobal

Showroom & Headquarters

Østre Havnegade 34
DK 9000 Aalborg
T + 45 98 18 16 11
Denmark: salg@nordlux.com
Other markets: export@nordlux.com
nordlux.com

BeLux Showroom

Mouterij 14
BE-2550 Kontich
T +32 (0)15 25 76 40
info@nordlux.com

Netherlands Showroom

De Woonindustrie
Nordlux NL | Stand C013
Symfonielaan 1
NL-3438 EW - Nieuwegein
T +31(0)183 89 03 50

France

T +33 320 479 346
france@nordlux.com

Germany

T +49 (0) 21 52 89 87 37
germany@nordlux.com

Norway

T +47 51 88 63 00
norway@nordlux.com

Sweden

+46 (0)52-64 56 110
sweden@nordlux.com

UK & Eire

T +44 (0) 12 00 42 27 77
salesuk@nordlux.com

Portugal

T +351 917563792
export@nordlux.com

